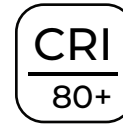
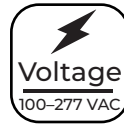




FY-HB-600C-100WNC-L50K336D621



Available Models¹

- FY-HB-600C-100WNC-L50K336D621
- FY-HB-900C-200WNC-L50K504D623

Part Number Breakdown

Example: FY-HB-900C-200WNC-L50K504D623

Series	Length	Wattage	Dimming	Diffuser	Input Voltage	CCT	SMD LEDs	Driver
FY-HB [Linear High Bay]	600C [-600 mm]	100W [100W]	N [Non-dimming]	C [Clear]	L [100-277 VAC]	50K [5000K]	336D6 [336x 3030]	21 [Mfr. Number]
	900C [-900 mm]	200W [200W]					504D6 [504x 3030]	23 [Mfr. Number]

Overview

The High-Temperature LED linear high bay in 5000K is built to withstand ambient temperatures up to 149°F. Install it in areas of high heat, such as manufacturing and industrial facilities. If the ambient temperature exceeds 176°F, the fixture will automatically lower the wattage to protect the internal elements. The aluminum housing and polycarbonate lens provide long-term protection in high-temperature applications. Mount the fixture using the included suspension mount kit and eye bolts or the optional surface mount kit.

Features

- Operates in temperatures up to 149 °F
- Temperature control protection to prevent overheating
- Metal Halide Equivalent: 250W or 750W respectively
- IP65 waterproof

Product Details

- Aluminum housing with polycarbonate lens and end caps
- High operating temperature: -22 to 149°F (-30 to 65°C)
- Suspension mount with included stainless steel eye bolts
- 100-277 VAC

Certifications and Compliances

- Certified by UL - UL 1598 (IFAM)



Applications

- Auditoriums
- Cafeterias
- Commercial Buildings
- Distribution Centers
- Grocery Stores
- Gymnasiums
- Manufacturing Plants
- Retail Applications
- Warehouses

Optional Accessories:

- FY Series Surface Mounting Kit (FY-NSF-SMB)

Warranty

- 5-year warranty



FY-HB Series

High Temperature Linear LED High Bay Specifications

Specifications

Model	FY-HB-600C-100WNC-L50K336D621		FY-HB-900C-200WNC-L50K504D623
Wattage	100W		200W
Lumens	15000		30000
Current Draw	120 VAC	830mA	1.7A
	277 VAC	360mA	720mA
Efficacy	150 lm/W		
Operating Voltage	100-277 VAC		
CCT	5000K		
Beam Angle	120°		
CRI	80+		
Power Factor	≥ 0.9		
Surge Protection	4kV		
IP Rating	IP65		
Environmental Rating	Suitable for Wet Locations, Waterproof		
LED Lifetime	50000 hours		
Length	22in. (1.8ft)	32in. (2.7ft)	
Product Weight	13.0lb (5.9kg)	17.3lb (7.8kg)	
Ambient Operating Temperature	-30 to 65°C (-22 to 149°F)		

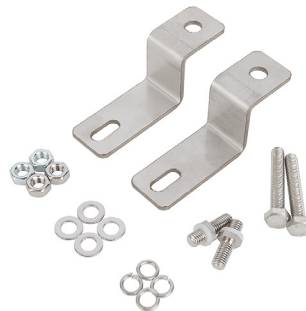
Included Suspension Kit:

- Mounting hardware
- 2x eye hooks
- 2x carabiners
- 2x food-safe steel cables with installed mounting flange
- Up to 40" suspension height from mounting surface



Optional FY Series Surface Mounting Kit:

- 4x flat washer
- 4x lock washers
- 4x nuts
- 2x double-ended studs
- 2x mounting bolts

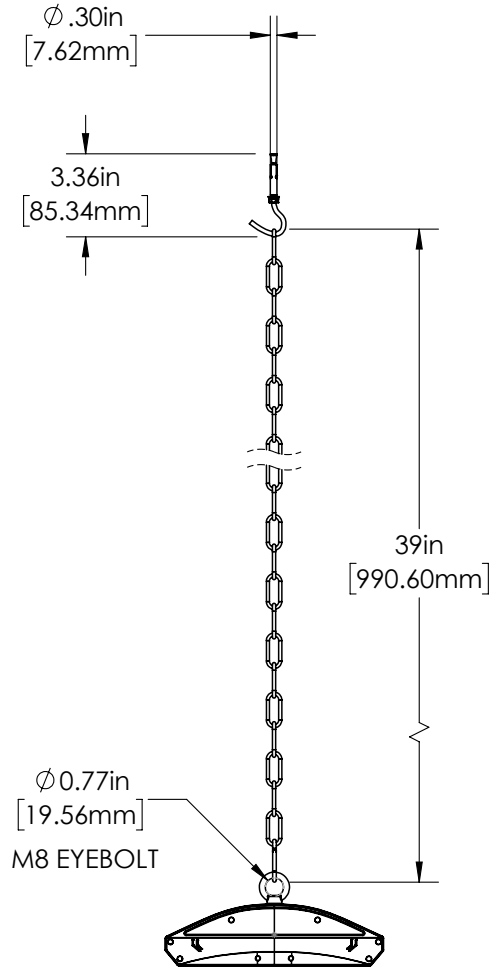
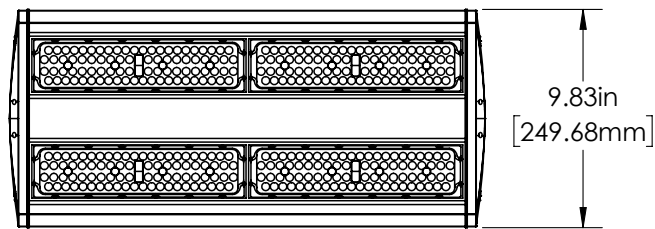
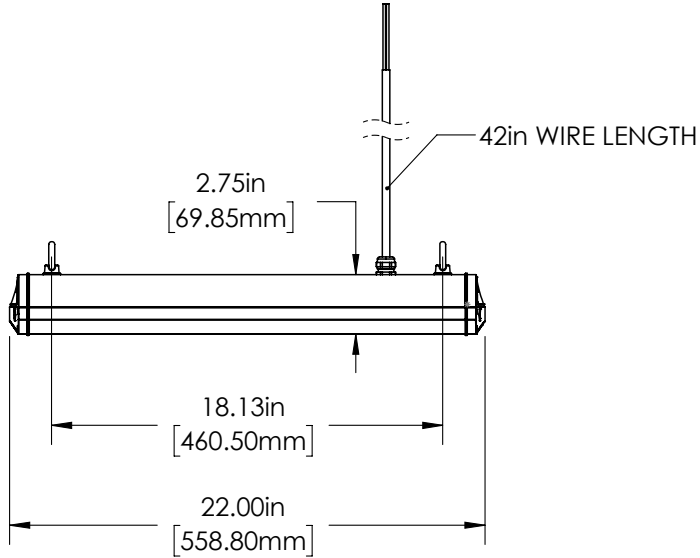


FY-HB Series

High Temperature Linear LED High Bay Specifications

Dimensional Drawings

FY-HB-600C-100WNC-L50K336D621



FY-HB Series

High Temperature Linear LED High Bay Specifications

Dimensional Drawings

FY-HB-900C-200WNC-L50K504D623

