



Industrial Commercial Linear High Bay

LED Linear High Bay Specifications

Project _____

Date _____ Type _____



Available Models¹

- ICLH-50K85ML-P1WH
- ICLH-50K130ML-P1WH
- ICLH-50K165ML-P1WH
- ICLH-50K255ML-P1WH
- ICLH-50K300ML-P1WH

Part Number Breakdown

Example: ICLH-50K300ML-P1WH

Series	CCT	Wattage	Diffuser	LED	Driver	Finish
ICLH [Industrial Commercial Linear High Bay]	50K [5000K]	85 [85 W]	M [Prismatic]	L [Lumileds]	P1 [Class P]	WH [White]
		130 [130 W]				
		165 [165 W]				
		255 [255 W]				
		300 [300 W]				

Overview

This high-performance 2ft LED linear high bay is an ideal upgrade from conventional fluorescent or metal-halide fixtures for your industrial or commercial space. Its prismatic diffuser delivers a 90° beam for uniform lighting in warehouses, distribution centers, and grocery stores. The steel housing, powder-coated finish, and impact-resistant polycarbonate lens offer enhanced durability. Install with the included suspension mounting kit, or select the optional pendant kit for pendant mounting.

Features

- Engineered for energy efficiency and reduced maintenance
- 140 lm/W for enhanced efficacy over traditional fixtures
- Includes suspension mounting kit
- Pendant mounting kit available separately

Product Details

- White powder-coated steel housing
- Prismatic polycarbonate lens
- IP20, suitable for damp or dry locations
- 0-10V dimming
- 120-277 VAC

Certifications and Compliances

- Certified by UL - UL 1598 (IFAM)
- DLC 5.1 Premium listed



Applications

- Auditoriums
- Cafeterias
- Commercial Buildings
- Distribution Centers
- Grocery Stores
- Gymnasiums
- Manufacturing Plants
- Retail Applications
- Warehouses

Warranty

- 5-year warranty



T 866.811.5550 | F 314.972.6202
<https://www.industrialcommerciallighting.com/>
 email: commercial-sales@industrialcommerciallighting.com

¹ Contact customer service for additional options.

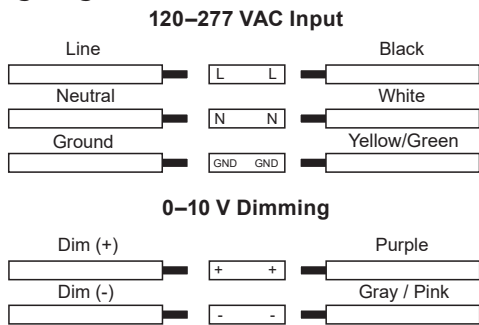


Industrial Commercial Linear High Bay

LED Linear High Bay Specifications

SPECIFICATIONS					
Model ICLH-	50K85ML-P1WH	50K130ML-P1WH	50K165ML-P1WH	50K255ML-P1WH	50K300ML-P1WH
DLC Product ID	S-6FQ9QR	S-CMRVYQ	S-5VNY26	S-N1SSMR	S-6GV44J
PHOTOMETRICS					
Lumens	11900	18200	23100	35700	42000
Efficacy	140 lm/W				
CCT	5000K				
LED Color	Cool White				
CRI	80+				
Beam Angle	90°				
ELECTRICAL					
Operating Voltage	120-277 VAC				
Wattage	85W	130W	165W	255W	300W
Current Draw	120 VAC	785mA	1.2A	1.5A	2.8A
	277 VAC	340mA	520mA	660mA	1.2A
Surge Protection	2 kV				
Power Factor	≥0.9				
Dimmer Type	0-10V				
MECHANICAL					
Length	24 in. (2 ft)				
IP Rating	IP20				
Environmental Rating	Suitable for Damp Locations, Non-weatherproof				
Input Connection	Pigtail				
Wire Gauge	18 AWG (L/N/G), 22 AWG (Dim)				
Product Materials	Steel Housing, Polycarbonate Lens				
Rated Life (L70)	50000 hours				
Ambient Operating Temperature	-30 to 50°C (-22 to 122°F)				

Wiring Diagram





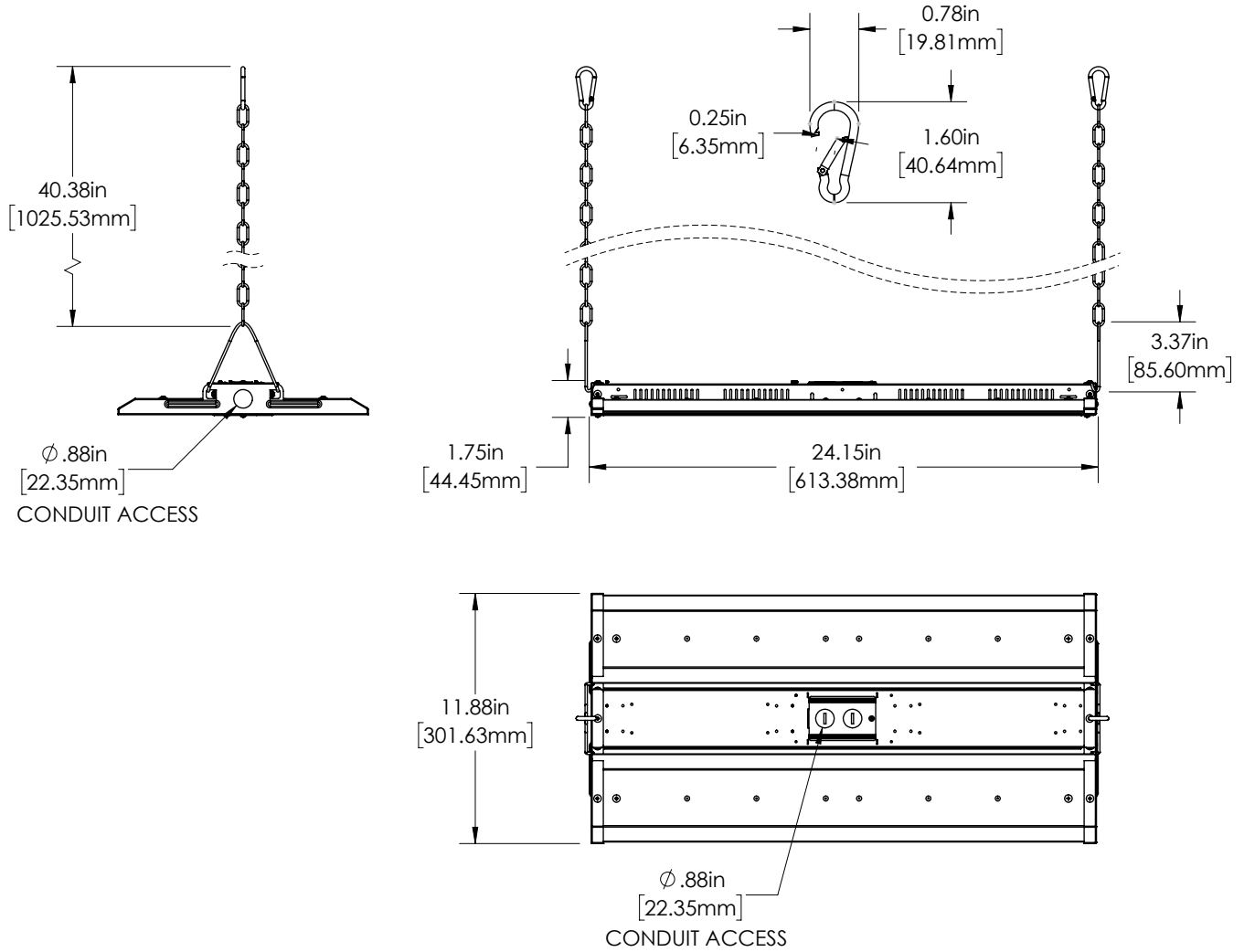
Industrial Commercial Linear High Bay

LED Linear High Bay Specifications

Dimensional Drawings

ICLH-50KxML-P1WH

(85W, 130W, 165W)





Industrial Commercial Linear High Bay

LED Linear High Bay Specifications

Dimensional Drawings

ICLH-50KxML-P1WH

(255W and 300W)

