

Important: Read all instructions prior to installation.

LED Linear High Bay Light



ICLH-50K85ML-P1WH

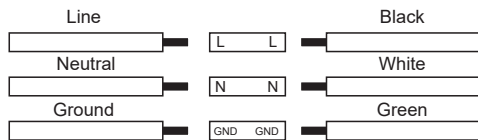
Safety and Notes

- Product should be installed and serviced by a certified electrician in accordance with applicable national, state, and local building and electrical codes.
- To reduce the risk of electric shock, ensure that the main power source and circuit breakers are switched off before performing any installation or wiring procedures.
- Avoid looking directly into lamp when illuminated.
- Ensure all mounts are securely attached and will support the weight of the fixture. Failure to properly support fixture may result in damage or injury, for which the manufacturer does not assume responsibility.

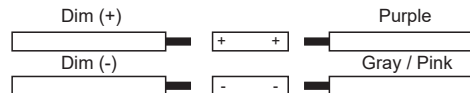
Check product label for specific electrical specifications related to installation.
Improper installation will void warranty.

Wiring Diagram

120–277 VAC Input

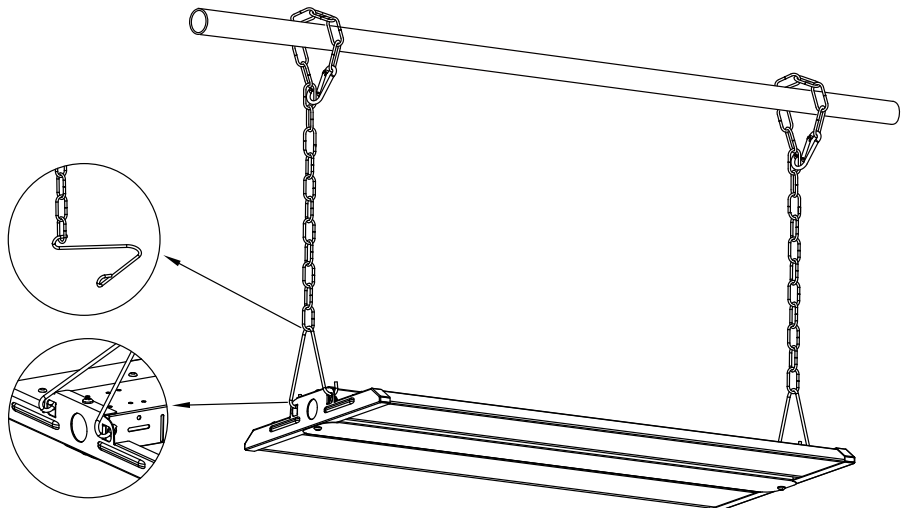
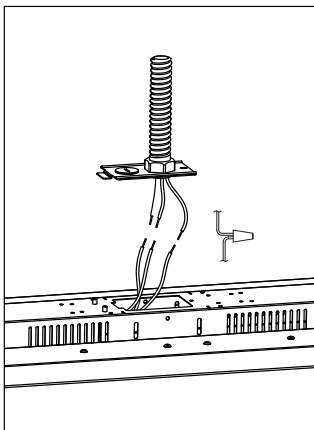


0–10 V Dimming



Suspension Chain Installation

1. Switch off supply power.
2. Measure and attach chains to a pipe or mounting hooks (not included) that can support weight of the fixture.
3. Attach hangers to light and hang light on chains. Adjust height as needed.
4. Connect wiring and conduit to fixture.
5. Switch on supply power.



Important: Read all instructions prior to installation.

LED Linear High Bay Light

Optional Accessories

Accessory Type	Part Number	Compatible Lights
pendant mount	LHBDS2-C	ICLH-50K85ML-P1WH, ICLH-50K130ML-P1WH, ICLH-50K165ML-P1W, ICLH-50K255ML-P1WH, and ICLH-50K300ML-P1WH

Optional Pendant Mounting Installation

1. Switch off supply power.
2. Attach pole/pendant mounting bracket to rigid conduit.
3. Connect wiring and attach light to bracket.
4. Switch on supply power.

