

**Important: Read all instructions prior to installation.**

## Selectable CCT 97+ CRI Gimbal Retrofit LED Downlight

### Safety and Notes

- Product should be installed and serviced by a certified electrician in accordance with applicable national, state, and local building and electrical codes.
- To reduce the risk of electric shock, ensure that the main power source and circuit breakers are switched off before performing any installation or wiring procedures. Do not use if wiring or light are damaged.
- Avoid looking directly into lamp when illuminated.
- Connect only to indicated voltage and in an appropriate environment to avoid potential damage or personal injury.
- Ensure all mounts are securely attached and will support the weight of the fixture. Failure to properly support fixture may result in damage or injury, for which the manufacturer does not assume responsibility.
- Do not install luminaire near any heat source.
- Always ensure that power is off and the luminaire has cooled before performing any maintenance, cleaning, or adjustments.



### Specifications

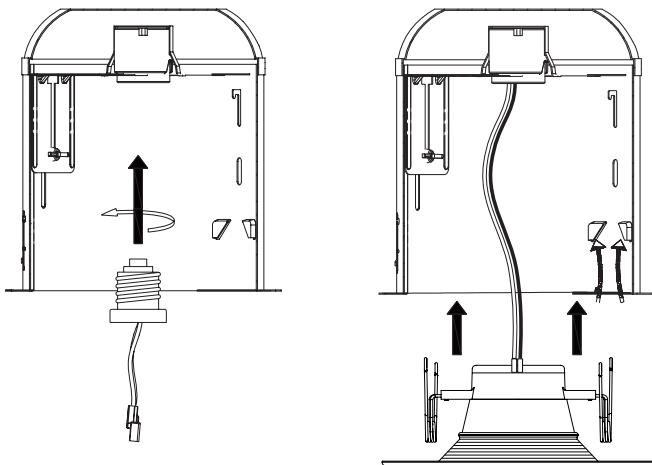
Environmental Specifications	
Operating Temperature	-4°–104 F (-20°–40° C)
Environmental Rating	Suitable for damp locations
IC Rated	Yes

Check product label for specific electrical specifications related to installation. Improper installation will void warranty.

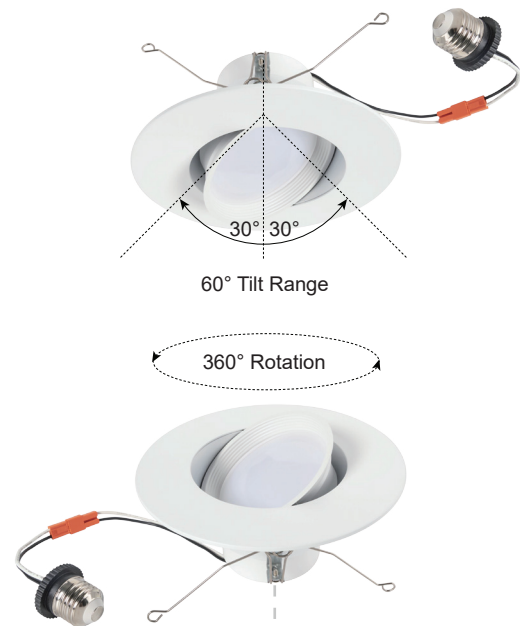
### Installation

**Note:** For installation in existing *five- or six-inch* can light housings. Remove existing bulb and trim if necessary. Attach relamping label inside of recessed can housing.

1. Turn supply power to circuit off before installation.
2. Screw E26 base adapter into socket.
3. Use the switch to set desired CCT on light (see Fig 1).
4. Connect the downlight to the E26 adapter.
5. Compress torsion springs and insert into housing brackets.
6. Press light securely into housing until trim is flush with ceiling.
7. Reconnect supply power.



### Gimbal Adjustment



- 1 Use CCT selection switch prior to installation.

