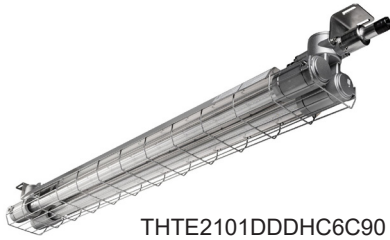


THTE Series

Linear Explosion-Proof LED Light

Project _____

Date _____ Type _____



THTE2101DDDHC6C90

Available Models¹

THTE2101DDDHC6C90

Part Number Breakdown

Example: THTE2101DDDHC6C90

Family	Length	Top Cover	CCT	Voltage	Wattage	Mounting Type
THTE2101	D [Double Tubes, 4 ft]	D [Top Cover]	D [Daylight, 5000K]	H [100-277 VAC]	C6 [36 W]	C90 [Ceiling]



Description

THTE series linear explosion-proof lights are designed for use in hazardous locations where flammable gases may be present. Rugged construction withstands high vibration, shock, and impact. Linear form factor and various mounting options make these fit securely in almost any location.

Mechanical

- Aluminum alloy housing and clear glass lens
- Operating temperature of -4°-104° F (-20°-40° C)
- Class I, Division 1 Group C, D
- Class II, Division 1 Group E, F, G
- Class III, Division 1
- 3/4" NPT rear fitting size for conduit or mounting

Electrical

- 100-277 VAC input voltage
- 36 W version available
- 60,000 hour rated (L70) LED lifetime
- 4 kV surge protection
- Power factor of ≥ 0.9

Photometrics

- Wide 110° beam angle
- High efficacy 100 lm/W
- 5000K cool white version available

Application

Easily replace canopy lights as well as other common high and low bay lights. These lights are great solutions for granaries, farm buildings, refineries, wastewater and sewage treatment plants, mills, mines, and repair shops.

Warranty

Five (5) Year Warranty

Certifications and Compliances

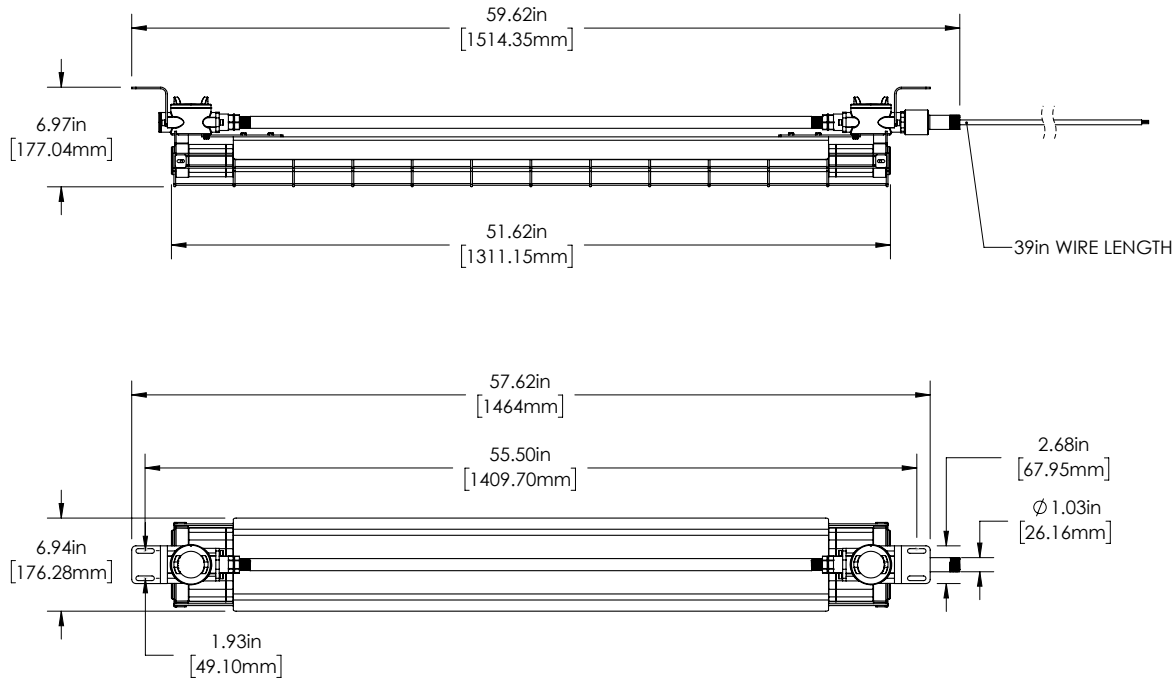
These lights are IP67 rated and are Certified by UL in compliance with UL 1598 (IFAM) and UL 844 (IFUX).



THTE Series

Linear Explosion-Proof LED Light

Dimensional Drawing



Specifications

Model	THTE2101DDDHC6C90
Intensity	3,600 lm
Efficacy	100 lm/W
Input Voltage Range	100-277 VAC
Power Consumption	36 W
Current Draw	300 mA @120 VAC 130 mA @277 VAC
Output Equivalency	175 W metal-halide
Color Temperature	5000K
Beam Angle	110°
CRI	70+
Dimming	none
Environmental Rating	IP67
T-Class Rating	T6
Ambient Operating Temperature	-40°-122° F (-40°-50° C)
Product Weight	29.18 lb (13.23 kg)
Rated Life (L70)	60,000 hours

