

## DS-CO4 Controller

LED Controller and Remotes

Project \_\_\_\_\_

Date \_\_\_\_\_ Type \_\_\_\_\_



DS-CO4

DS-RGBW



DS-CCT



DS-DM



### Description

DS-CO4 is a controller that allows up to 4 channels of LED lights. Fully enclosed plastic housing is rated IP67 for wet conditions and outdoor applications. Easily pairs with remotes to control single color, tunable white, or RGB/RGBW products.

### Features

- Pairs with 2.4 GHz remotes to control single color, tunable white, or RGB/RGBW products
- Synchronizes multiple remotes to a single controller
- Auto-transmitting function automatically transmits signal other DS-CO4 controllers within 98.4 ft (30 m) of original controller.
- Controller is IP67 rated—suitable for wet locations

### Electrical

- 12-36 VDC input voltage
- Four channel output (max 5 A per channel)
- 60-180 W per channel output depending on voltage
- 98.4 ft (30 m) range (receiving and transmitting)
- Reverse polarity, overheat, overload, and short circuit protection
- Smooth 0-100% dimming with no flash/flicker

### Warranty

Five (5) Year Warranty

### Available Models

#### Controller

DS-CO4

#### Individual Remote Controls

DS-RGBW (RGB/RGBW)

DS-CCT (tunable white)

DS-DM (dimming)

#### Bundles (controller with one remote)

DS-CO4-RGBW (DS-CO4 + DS-RGBW)

DS-CO4-CCT (DS-CO4 + DS-CCT)

DS-CO4-DM (DS-CO4 + DS-DM)

### Applications

When paired with the proper remote(s), this controller is a great solution to manage a variety of low voltage LED lights including strip lights and flexible sheets.

### Certifications and Compliances

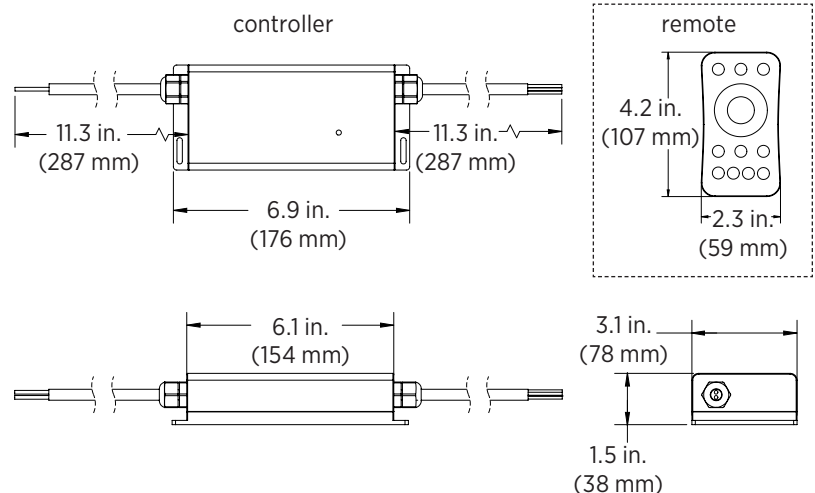
These are CE compliant and are also IP67 rated for installation in wet environments.



### Specifications

Model	DS-CO4
Voltage Range	12-36 VDC (output matches input)
Max. Output Current	5 A per channel (20 A total)
Max. Input Current	20.5 A
Dimming	0-100%, 500 Hz PWM
Transmission Range	98.4 ft (30 m) between remote and controller or when auto-transmitting to additional controllers
Transmission Frequency	2.4 GHz
Environmental Rating	IP67
Ambient Operating Temperature	-22°-131° F (-30°-55° C)

### Dimensions



T 866.811.5550

F 314.972.6202

email: commercial-sales@superbrightleds.com

www.superbrightleds.com/cat/industrial-led-lighting/

Rev V1 Date: 9/28/2020

Specifications are subject to change without notice.

Printed in the U.S.A.