

SLD-S1 Series

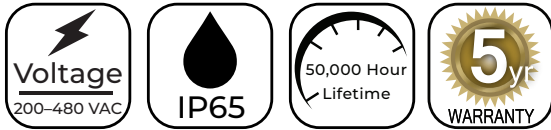
LED Stadium Sports Light Specifications

Project _____

Date _____ Type _____



SLD-S1-50K1000BS2H-BLC20SPY



Available Models¹

500-Watt Models

- SLD-S1-50K500BS2H-BLC20SPY
- SLD-S1-50K500BS3H-BLC20SPY
- SLD-S1-50K500BS4H-BLC20SPY
- SLD-S1-50K500BS6H-BLC20SPY

750-Watt Models

- SLD-S1-50K750BS2H-BLC20SPY
- SLD-S1-50K750BS3H-BLC20SPY
- SLD-S1-50K750BS4H-BLC20SPY
- SLD-S1-50K750BS6H-BLC20SPY

1000-Watt Models

- SLD-S1-50K1000BS2H-BLC20SPY
- SLD-S1-50K1000BS3H-BLC20SPY
- SLD-S1-50K1000BS4H-BLC20SPY

Accessory

- SLD-S1-LASER (Aiming Laser)

Part Number Breakdown

Example: SLD-S1-50K500BS2H-BLC20SPY

Series	CCT	Wattage	LED	Lens ²	Voltage	Finish	Product	Feature	Mount
SLD-S1 [Sports Light, Dimmable]	50K [5000K]	500 [500 W]	B [Bridgelux 3030]	S2 [20°]	H [High Voltage]	BL [Black]	C [Internal Code]	20SP [20 kV surge protection]	Y [Yoke]
		750 [750 W]		S3 [30°]					
		1000 [1000 W]		S4 [40°] or S6 [60°]					

Overview

The LED stadium light with yoke mount and reflector is designed to deliver high-powered lighting for high-pole installations such as sports stadiums, shipyards, and airports. The stadium light has a NEMA 4x4, NEMA 5x5, or NEMA 6x6 light distribution pattern for long-distance, small-angle projection- the distribution patterns vary by beam angle. The fixture is available in 20°, 30°, 40°, or 60° beam angles with secondary optics for precise light output. An included reflector helps reduce unnecessary uplighting and light pollution. The die-cast aluminum body and polycarbonate lenses make the light resistant to impact and corrosion. Integrated heat sinks provide thermal regulation to prolong the fixture's lifetime. Mount the fixture using the pre-installed yoke mount or optional slipfitter mount (sold separately).

Certifications and Compliances

- Certified by UL - UL 1598 (IFAM)
- DLC 5.1 Premium Listed



Warranty

- 5-year warranty

Features

- NEMA 4x4, 5x5, or 6x6 distribution patterns
- Replaces MH fixtures with up to 158 lm/W efficacy
- Included reflector reduces uplight
- Preinstalled yoke mount with 170° adjustment

Product Details

- Die-cast aluminum housing
- Polycarbonate lens with secondary optics
- Steel reflector and yoke mount
- IP65 waterproof
- Surge Protection: L/N-PE is 10kV, L-N is 6kV
- 200-480 VAC

Application

- Auditoriums
- Sports Complexes
- Stadiums
- Stage & Theaters

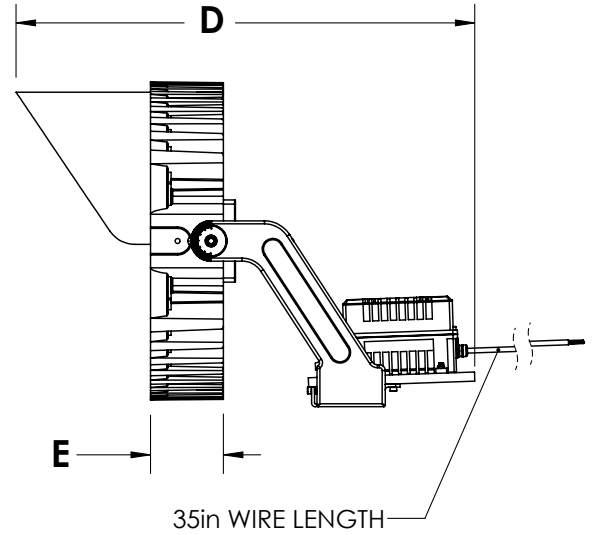
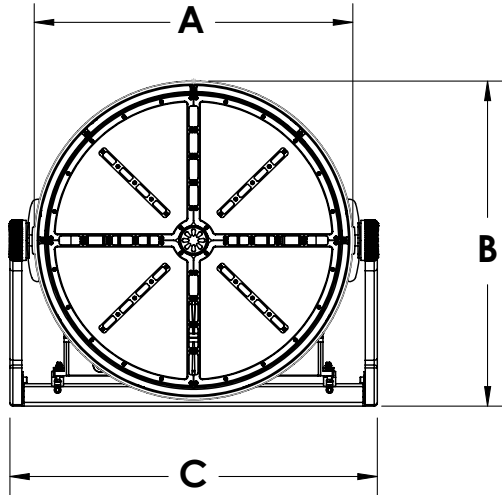


SLD-S1 Series

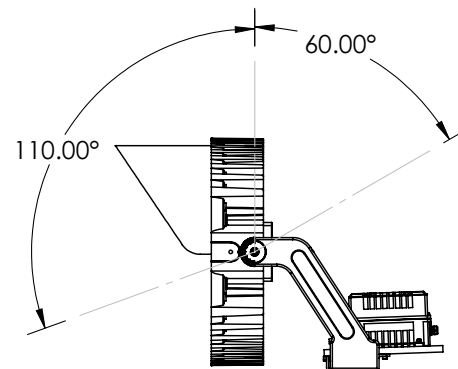
LED Stadium Sports Light Specifications

Dimensional Drawings

SLD-S1-50K1000BS2H-BLC20SP shown



SLD-S1 Model	50K500BS2H-BLC20SPY	50K750BS2H-BLC20SPY	50K41000BS2H-BLC20SPY
A	Ø 14.9 in. [377.7 mm]	Ø 19.2 in. [487.4 mm]	Ø 21.3 in. [541.4 mm]
B	17.1 in. [434.9 mm]	20.3 in. [514.4 mm]	21.5 in. [546.1 mm]
C	17.3 in. [438.2 mm]	21.6 in. [549.3 mm]	24.5 in. [622.3 mm]
D	25.5 in. [647.7 mm]	28.4 in. [720.1 mm]	31.0 in. [787.4 mm]
E	3.7 in. [95.0 mm]	4.1 in. [105.2 mm]	5.0 in. [127.5 mm]



SLD-S1 Series

LED Stadium Sports Light Specifications

Specifications

Model SLD-S1-		50K500BSxH-BLC20SPY	50K750BSxH-BLC20SPY	50K1000BSxH-BLC20SPY
Wattage		500 W	750 W	1000 W
Lumens		73,500	118,500	147,000
Efficacy		147 lm/W	158 lm/W	147 lm/W
Current Draw	200 VAC	2.6 A	4.0 A	5.3 A
	480 VAC	1.2 A	1.7 A	2.3 A
EPA		2.3 ft ²	3.0 ft ²	3.6 ft ²
Input Voltage		200-480 VAC		
CCT		5000K		
Beam Angle		20°, 30°, 40°, or 60° (as ordered)		20°, 30°, or 40° (as ordered)
NEMA Distribution Type		4x4 (20°, 30°), 5x5 (40°), or 6x6 (60°)		4x4 (20°, 30°), 5x5 (40°)
BUG Rating		B5-U0-G5		
CRI		70+		
Dimming		0-10V		
IP Rating		IP65		
Rated Life (L70)		50,000 hours		
Ambient Operating Temperature		-40-113° F (-40-45° C)		

