



Available Models¹

- TPLF-50K2-30
- TPLF-50K4-50

Part Number Breakdown

Example: TPLF-50K4-50

Series	CCT	Length	Wattage
TPLF [Tri-Proof LED Fixture]	50K [5000K]	2 [2 ft]	30 [30 W]
		4 [4 ft]	50 [50 W]

Description

Industrial LED vapor-proof lights are a heavy-duty, super-bright alternative to traditional tube and strip light fixtures. They're perfect lighting for commercial locations, including warehouses, parking garages, tunnels, and supermarkets. With a life expectancy of 50,000 hours—5 times as long as fluorescent or MH fixtures—the LED light reduces costly repairs, disposal fees, and the need for replacements. A vapor-proof, weatherproof aluminum housing, and frosted polycarbonate lens are dust-tight, water- and impact-resistant for harsh environments. Mount on a wall with included hardware or suspend from up to 10 ft high ceilings with a suspension kit (sold separately).

Features

- Construction withstands impact, dust, and moisture
- IP65 weatherproof for wet locations
- 180° beam pattern

Details

- 120-277 VAC input

Output Equivalencies

TPLF-50K2-30	Two (2) 17 W fluorescent T8 tubes
TPLF-50K4-50	Two (2) 32 W fluorescent T8 tubes

Certifications and Compliances

- Certified by UL - UL 1598 (IFAM)



Warranty

- 5-year warranty

Mounting Accessories

- Suspension Kit (TPLF-HKO)

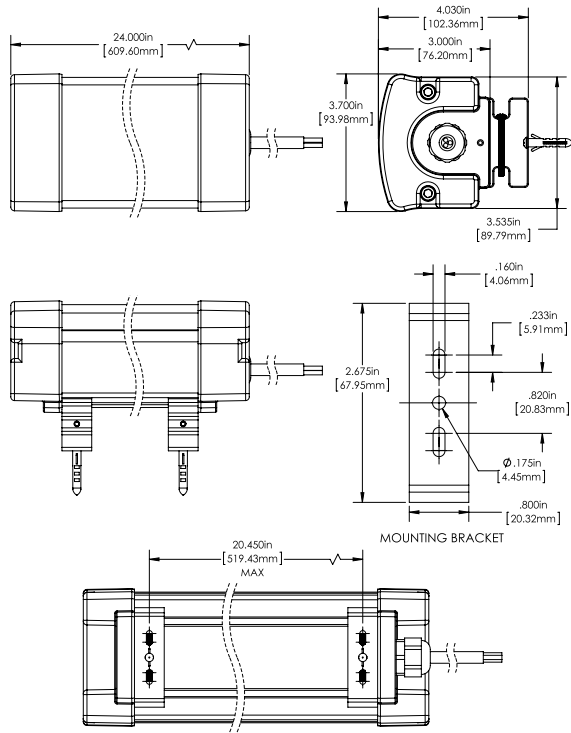


TPLF Series

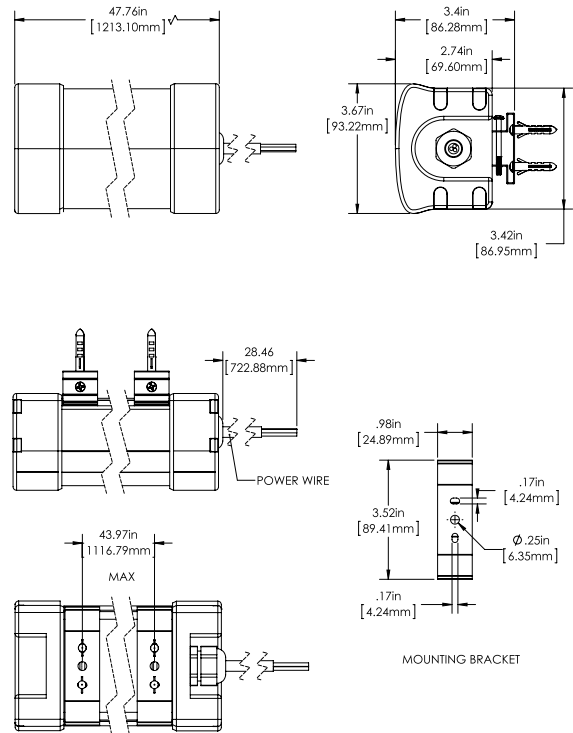
Tri-Proof LED Light Specifications

Dimensional Drawings

TPLF-50K2-30



TPLF-50K4-50



Specifications

Model	TPLF-50K2-30	TPLF-50K4-50
Lumens	3,600 lm	6,000 lm
Wattage	30 W	50 W
Current Draw	120 VAC	275 mA
	277 VAC	120 mA
Operating Voltage	120-277 VAC	
Efficacy	≥120 lm/W	
Color Temperature	5000K	
Beam Angle	180°	
CRI	80+	
Dimming	None	
IP Rating	IP65	
Rated Life (L70)	50,000 hours	
Ambient Operating Temperature	-4°-113° F (-20°-45° C)	

