

**FLDOB Series**

Driver On Board Flood Light Specifications

Project \_\_\_\_\_ Date \_\_\_\_\_

Type \_\_\_\_\_



**FLDOB-S1-50K30WC-BRKL**



**Available Models<sup>1</sup>**

- FLDOB-S1-50K30WC-BRKL     FLDOB-S1-50K80WC-BRKL
- FLDOB-S1-50K50WC-BRKL     FLDOB-S1-50K100WC-BRKL

**Part Number Breakdown**

Example: FLDOB-S1-50K30WC-BRKL

Series	Version	CCT	Wattage	Lens	Finish	Mount	LED Maker
<b>FLDOB</b> [Flood Light, Driver On Board]	<b>S1</b> [Series 1]	<b>50K</b> [5000K]	<b>30W</b> [30W]	<b>C</b> [Clear Glass]	<b>BR</b> [Bronze]	<b>K</b> [Knuckle]	<b>L</b> [Supplier Code]
			<b>50W</b> [50W]				
			<b>80W</b> [80W]				
			<b>100W</b> [100W]				

**Overview**

This LED flood light delivers efficient area lighting and building facade illumination with a wide light distribution pattern. Built with a rugged aluminum housing and tempered glass lens, this fixture withstands harsh weather conditions. The knuckle mount provides light adjustment for precise light direction.

**Features**

- Broad illumination for various outdoor applications
- Replaces up to a 250W metal-halide fixture
- Wide NEMA 7x7 light distribution pattern
- Knuckle mount included

**Product Details**

- Die-cast aluminum housing
- Tempered glass lens
- 120° beam angle
- IP65, Suitable for wet locations
- Surge protection: 2 kV (L-N, L/N-PE)
- 120 VAC input

**Certifications and Compliances**

- Certified by UL - UL 1598 (IFAM)



**Applications**

- Accent Lighting
- Area Lighting
- Exteriors and Facades
- Landscape Lighting
- Security Lighting
- Sign Lighting
- Subdivision Signs
- Uplighting

**Warranty**

- 3-year warranty



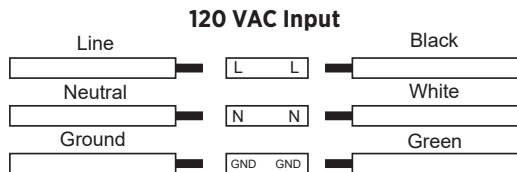
<sup>1</sup>Contact customer service if interested in other options.

## FLDOB Series

Driver On Board Flood Light Specifications

SPECIFICATIONS				
Model   FLDOB-S1-	50K30WC-BRKL	50K50WC-BRKL	50K80WC-BRKL	50K100WC-BRKL
<b>PHOTOMETRIC</b>				
Lumens	3450 Lumens	5750 Lumens	9200 Lumens	11500 Lumens
Efficacy	115 lm/W			
CCT	5000K			
Distribution Type:	NEMA 7x7			
Beam Angle	120°			
CRI	80+			
<b>ELECTRICAL</b>				
Wattage	30 Watts	50 Watts	80 Watts	100 Watts
Current Draw	280mA	460mA	750mA	950mA
Operating Voltage	120 VAC			
Surge Protection	2kV (L-N, L/N-PE)			
Power Factor	≥0.90			
Dimmer Type	None			
<b>MECHANICAL</b>				
EPA	0.30ft <sup>2</sup>	0.40ft <sup>2</sup>	0.52ft <sup>2</sup>	1.20ft <sup>2</sup>
Housing Material	Bronze Die-Cast Aluminum			
Lens Material	Tempered Glass			
Lens Type	Clear			
Mount Type	Knuckle Mount			
Input Connection	Pigtail			
Wire Gauge	18AWG			
Rated Life (L70)	50000 hours			
<b>ENVIRONMENTAL</b>				
IP Rating	IP65			
Environmental Rating	Suitable for Wet Locations, Water Resistant			
Ambient Operating Temperature	-30 to 45°C (-22 to 113°F)			

### Wiring Diagram

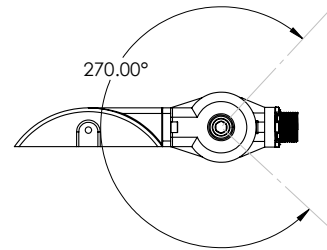
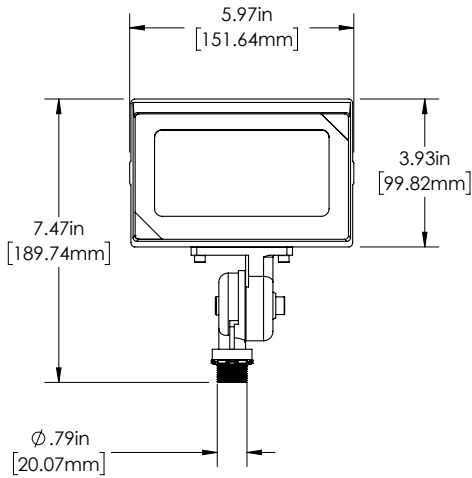
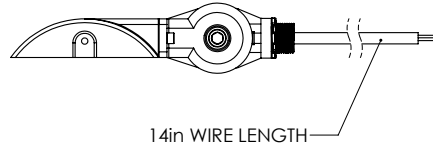
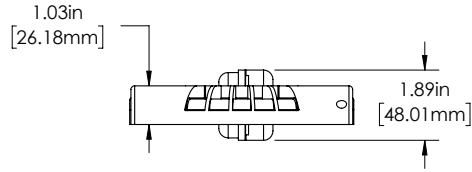


# FLDOB Series

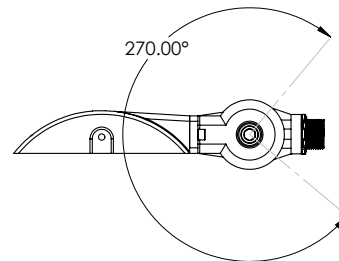
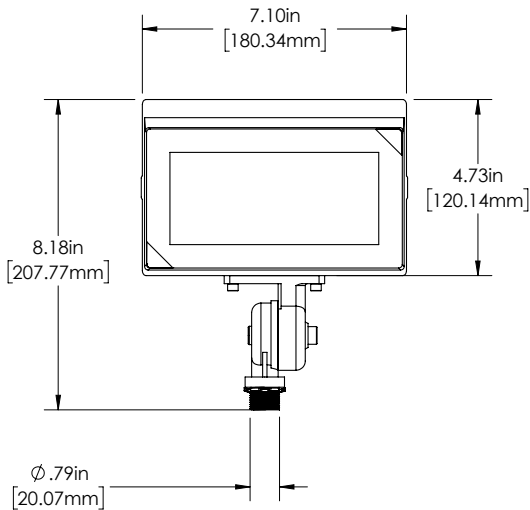
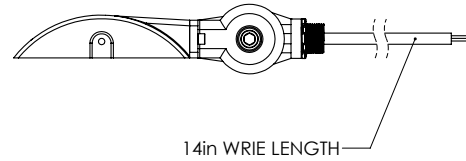
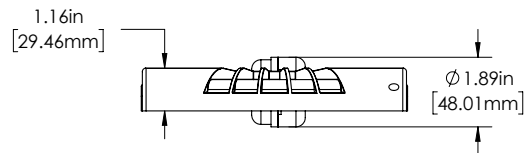
Driver On Board Flood Light Specifications

## Dimensional Drawings

### FLDOB-S1-50K30WC-BRKL



### FLDOB-S1-50K50WC-BRKL

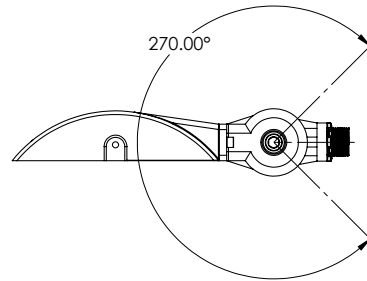
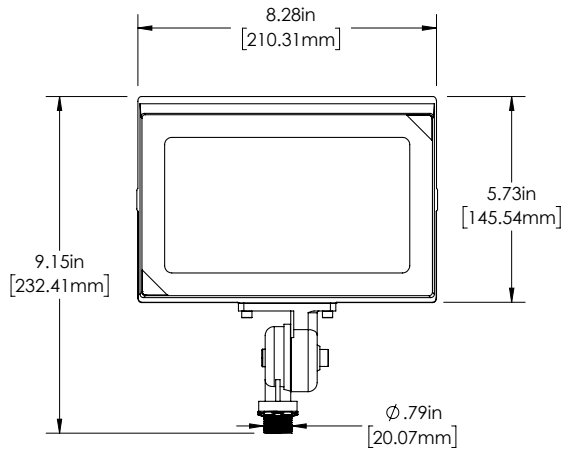
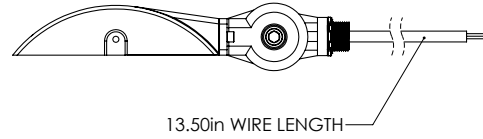
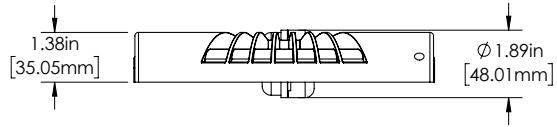


# FLDOB Series

Driver On Board Flood Light Specifications

## Dimensional Drawings

FLDOB-S1-50K80WC-BRKL



FLDOB-S1-50K100WC-BRKL

