

TLFD-TW3C Series

Smart LED Recessed Troffer Specifications

Project _____

Date _____ Type _____



TLFD-TW3C22-835BLE



Description

The TLFD-TW3C Series of smart troffers offer optimal versatility and customization for various applications. One type of fixture can outfit an entire facility, adjusting to different lighting needs in each unique space. These are installed easily in existing T-grid ceilings with a low profile and are lightweight compared to traditional troffers. Available in packs of two.

Features

- Wireless control via mobile APP or Bluetooth wall switch (optional)
- Multifunction Sensor: occupancy and daylight sensing
- Luminaire Level Lighting Control (LLLC) with Energy Monitoring and High End Trim
- Flexible zoning and grouping with scene and time scheduling control

Mechanical

- Steel housing, aluminum frame, polycarbonate lens
- Suitable for damp locations

Electrical

- 120-277 VAC input
- 2.0 kV surge protection
- 100,000 hour lifetime

Photometrics

- App selectable and tunable CCT
- 80+ CRI
- 110° beam angle
- Up to 125 lm/W

Available Configurations¹

- TLFD-TW3C22-835BLE
- TLFD-TW3C24-845BLE

Part Number Breakdown

Example: TLFD-TW3C22-835BLE

Series	CCT	Size	CRI	Wattage	Control
TLFD	TW3C [App selectable and tunable]	22 [2' x 2']	8 [80+]	35 [35 W]	BLE [Bluetooth Mesh]
		24 [2' x 4']		45 [45 W]	

Applications

Comparable panel sizes easily replace traditional fluorescent fixtures in drop ceiling applications.

Certifications and Compliances

- Certified by UL - UL 1598 and UL 8750
- IoT security verified Gold (UL MCV 1376)
- DLC 5.1 Premium listed



Warranty

- Five (5) years

Optional Accessories

Dimmer

- 5 KEY Wireless Wall Switch with Wall plate (WP1025)

Emergency Driver

- 8W Emergency Battery Backup Inverter
100-347V Input - 170 VDC Output (EMH-08170-HY)



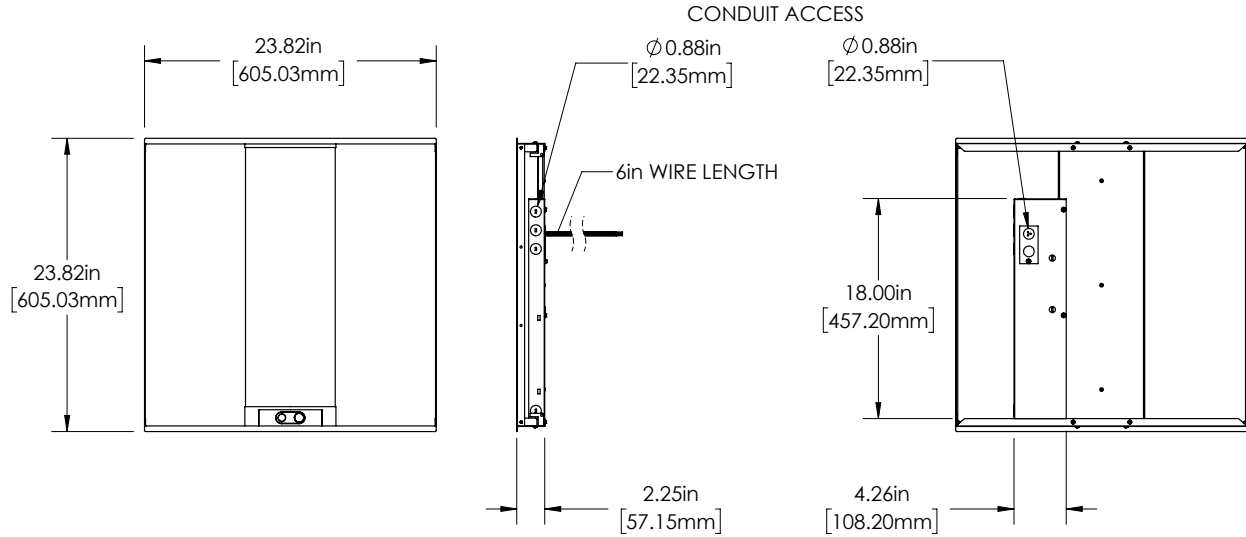
¹Contact customer service if interested in options other than those listed.

TLFD-TW3C Series

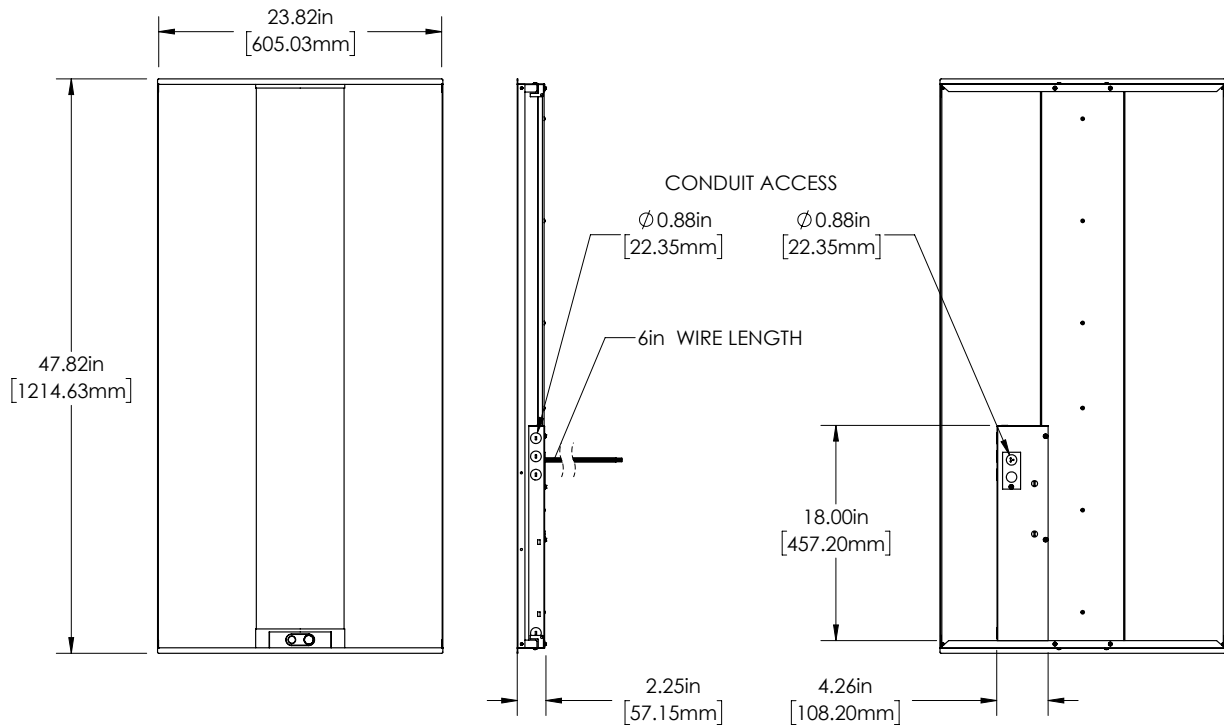
Smart LED Recessed Troffer Specifications

Dimensional Drawings

TLFD-TW3C22-835BLE



TLFD-TW3C24-845BLE



TLFD-TW3C Series

Smart LED Recessed Troffer Specifications

Specifications

Model		TLFD-TW3C22-835BLE	TLFD-TW3C24-845BLE
Panel Size		2' x 2'	2' x 4'
Lumens (max)		4,480 lm	5,760 lm
Power Consumption (max)		35W	45W
Current Draw (max)	120 VAC	320 mA	415 mA
	277 VAC	140 mA	180 mA
Product Weight		7 lb (3.2 kg)	11.5 lb (5.2 kg)
Operating Voltage		120-277 VAC	
Efficacy		Up to 128 lm/W	
Color Temperature(s)		Selectable (3000K/3500K/4000K/5000K presets) and tunable via app	
Beam Angle		110°	
CRI		80+	
Dimming		0-10V continuous via built-in sensor for app or wall switch	
Control Systems		Keilton app or wall switch	
Communication		Bluetooth Mesh	
Environmental Rating		Suitable for damp locations	
Surge Protection		2 kV	
Rated Life (L70)		100,000 hours	
Ambient Operating Temperature		-4°-122° F (-20°-50° C)	

