

DS Series

DS-WDMX45 DMX/RDM Decoder Specifications

Project _____

Date _____ Type _____



Description

DS series DMX512 decoders allow LED lights to be connected to and controlled with DMX/RDM systems. Digital display with simple controls makes it easy to control strip lights or other LED lamps. These offer preset standalone RGB modes or the ability to assign addresses for 4 channels and a waterproof design for outdoor installations.

Construction

- DMX master and decoder mode with RDM function
- Converts DMX512 signals to single color, tunable white, or RGB LED strips and fixtures
- Standalone RGB mode with 30 dynamic programs
- Standalone dimmer mode
- Digital display for easy navigation and programming
- -22°-131° F (-30°-55° C) operating temperature
- IP67 environmental rating

Electrical

- 1-4 channel configurations
- Jacketed pigtail connections for DMX signal in and out
- 12-36 VDC input/output
- Max output current of 5 A per channel (20 A total)
- PWM frequency can be set to 500 Hz or 2 kHz
- Overheat, overload, and short circuit protection

Warranty

Five (5) Year Warranty

Certifications and Compliances

These DMX/RDM decoders are CE compliant.

Available Models¹

4-Channel

- DS-WDMX45

Specifications

Model	DS-WDMX45
Input Voltage	12-36 VDC
Max. Input Current	20.5 A
Max. Output Current	5 A (per channel, 20 A total)
Max. Output Wattage	60-180 W (per channel, varies by voltage)
Output Channels	4
Connection Type	pigtail
IP Rating	IP67
Ambient Operating Temperature	-22°-131° F (-30°-55° C)

Notes



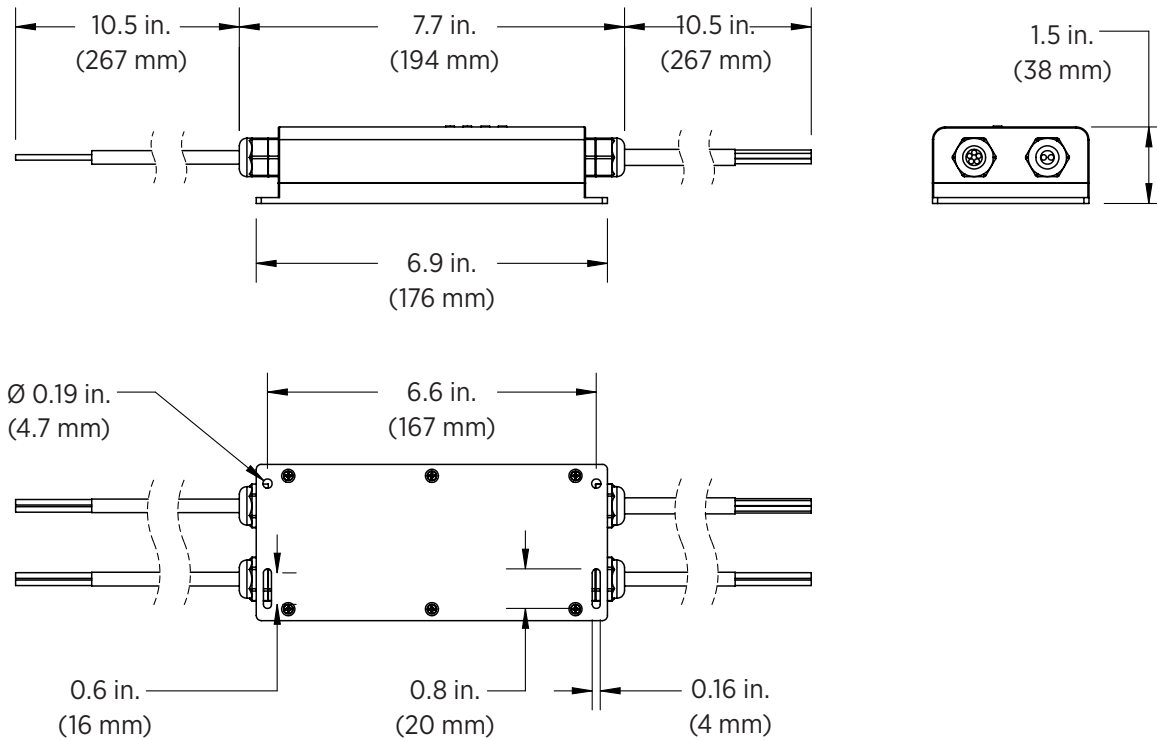
T 866.811.5550
 F 314.972.6202
 email: commercial-sales@superbrightleds.com
 www.superbrightleds.com/cat/industrial-led-lighting/

¹Contact customer service if interested in options other than those listed.

DS Series

DS-WDMX45 DMX/RDM Decoder Specifications

Dimensions



Wiring Connection Diagram

