



CVPSD Series

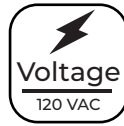
Metal Enclosed AC/DC Power Supply Specifications

Project _____

Date _____ Type _____



CVPSD-120WM-24V-JB



Available Models¹

12 VDC Output

- CVPSD-120WM-12V-JB
- CVPSD-200WM-12V-JB

24 VDC Output

- CVPSD-120WM-24V-JB
- CVPSD-200WM-24V-JB

Part Number Breakdown

Example: CVPSD-120WM-24V-JB

| Series | Output Wattage | Driver Case | Output Voltage | Feature |
|---|---------------------|------------------|--|--------------------------|
| CVPSD [Constant Voltage Power Supply, Dimmable] | 120W [120 W] | M [metal] | 12V [12 VDC] or 24V [24 VDC] | JB [junction box] |
| | 200W [200 W] | | | |

Overview

The dimmable constant-voltage power supply effectively powers a range of electronics. The driver has an IP66 waterproof housing and built-in short-circuit, overload, and over-temperature protection. It is housed in a durable, vented steel enclosure, allowing the power supply to run cool in indoor and outdoor applications. The enclosure also functions as a built-in junction box with knockouts for easy wiring access. The compact profile makes it ideal for residential and commercial use. The optional 6ft power cord has a grounded 5-15 plug.

Features

- 12 VDC or 24 VDC constant voltage output
- MLV and ELV TRIAC Dimmable
- Constructed for outdoor or indoor use
- Vented housing reduces heat buildup

Product Details

- Includes conduit knockouts and mounting slots
- Compatible with TRIAC dimmers
- Input: 120 VAC
- Output: 12 or 24 VDC (as ordered)
- Driver rated IP66 for wet conditions

Certifications and Compliances

- ETL Listed - UL 1012
- FCC Part 15 B compliant

Warranty

- 2-year warranty



Optional Accessories

- 6 ft, 5-15P power cord (_POWERCORD)



T 866.201.2238
 F 314.972.6202
 www.diode-drive.com
 email: commercialsales@diode-drive.com

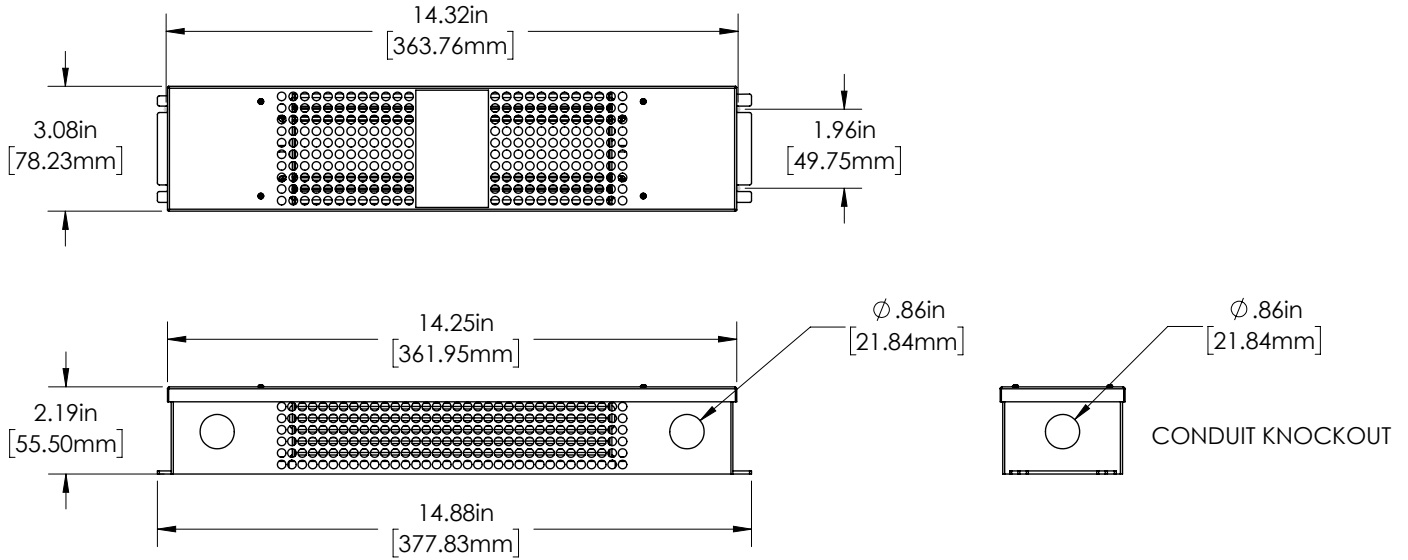
¹Contact customer service if interested in other options.

CVPSD Series

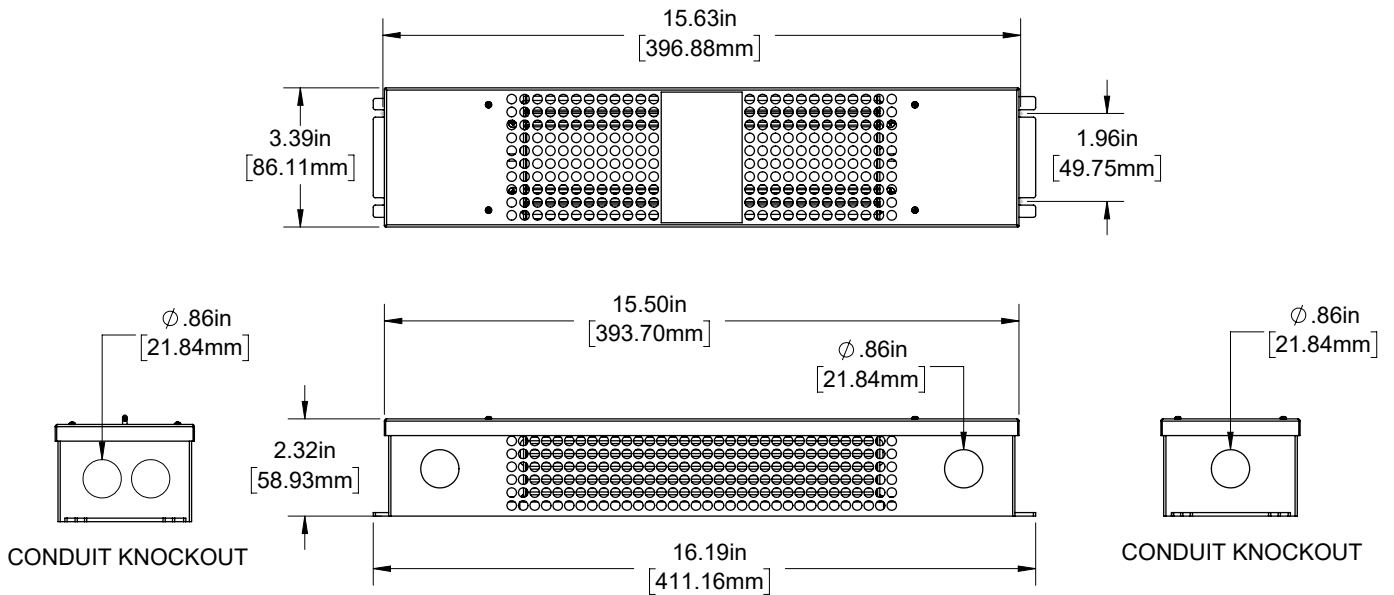
Metal Enclosed AC/DC Power Supply Specifications

Dimensional Drawings

CVPSD-120WM-x-JB



CVPSD-200WM-x-JB





CVPSD Series

Metal Enclosed AC/DC Power Supply Specifications

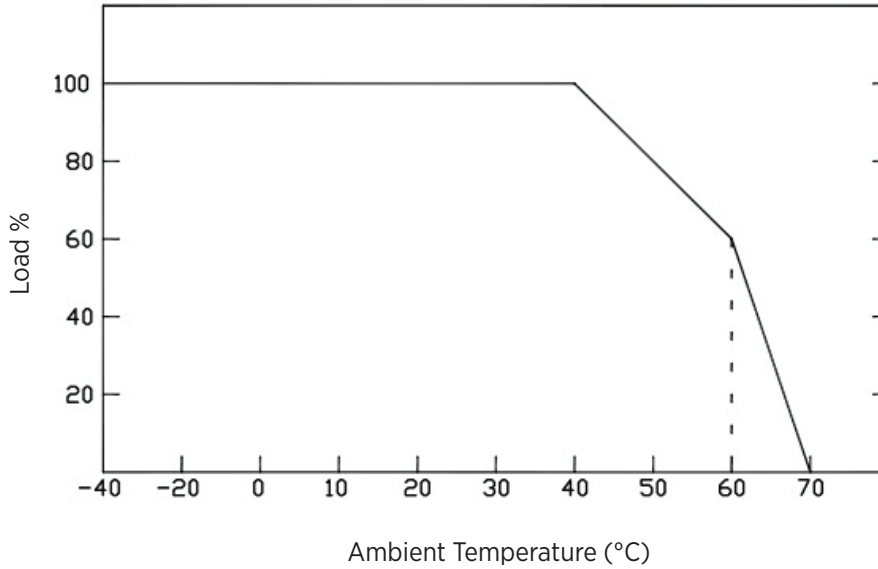
| SPECIFICATIONS | | CVPSD -120WM-12V-JB | CVPSD-120WM-24V-JB | CVPSD-200WM-12V-JB | CVPSD-200WM-24V-JB |
|-------------------------------|--|---|--------------------|--------------------|--------------------|
| INPUT | | | | | |
| Input Voltage | 100-130 VAC | | | | |
| Input Frequency | 50/60Hz | | | | |
| Input Current | 2A | 3.2A | 2A | 3.2A | |
| Efficiency (TYP) | 81% | 83% | 83% | 85% | |
| Leakage Current | <0.50mA/120 VAC | | | | |
| Input Connection Type | Pigtail | | | | |
| Power Factor | 0.65 (full load) | | | | |
| OUTPUT | | | | | |
| Output Power | 120W | 120W | 200W (100W x2) | 200W | |
| Output Voltage (±0.5V) | 12 VDC | 24 VDC | 12 VDC | 24 VDC | |
| Output Current | 10000mA | 5000mA | 16700mA (8.3A x2) | 8300mA | |
| Output Channels | 1 | 1 | 2 | 1 | |
| DIMMING | | | | | |
| Dimming Control | TRIAC (ELV), TRIAC (MLV) | | | | |
| PROTECTIONS | | | | | |
| Protections | Short Circuit | Short Circuit Hiccup mode, recover automatically after fault condition is removed | | | |
| | Overload | ≤120% | | | |
| | Over Current | ≤1.2*I out | | | |
| | Over Temp. | 100°C±10°C, Shut down o/p voltage, automatic recovery after temperature drops | | | |
| ENVIRONMENTAL | | | | | |
| IP Rating | IP66 | | | | |
| Environmental Rating | Suitable for Wet Locations, Waterproof | | | | |
| Operating Humidity | 20-95% RH, non-condensing | | | | |
| Storage Temp. Humidity | -40-80 °C, 10-95% RH | | | | |
| Ambient Operating Temperature | -40-60 °C (-40-140 °F) | | | | |
| Temperature Coefficient | ±0.03%/°C (0-50 °C) | | | | |
| Vibration | 10-500Hz, 5G 12min./1 cycle, period for 72min. each along X,Y,Z axes | | | | |
| MECHANICAL HOUSING | | | | | |
| Wire Gauge | 18AWG | | | | |
| Housing Color | Black | | | | |
| Case Material | Steel Junction Box, Aluminum Housing | | | | |
| SAFETY & EMC | | | | | |
| Safety Standards | UL 1012 | | | | |
| Withstand Voltage | I/P-O/P: 1500 VAC | | | | |
| Isolation Resistance | I/P-O/P: 100MΩ/500VDC/25°C/70%RH | | | | |
| EMC Emission | FCC Part 15 B | | | | |



CVPSD Series

Metal Enclosed AC/DC Power Supply Specifications

Derating Curve



To extend driver life, please refer to the Derating Curve and derate according to the temperature.

