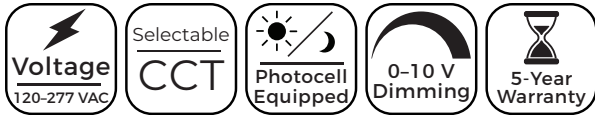


WPFCCCT Series

Selectable CCT LED Wall Pack Specifications

Project _____

Date _____ Type _____



Description

WPFCCCT series wall packs are full cutoff architectural luminaires with field-selectable CCT LEDs. The internal switch allows installers to select color temperature during installation to match existing lighting or meet client preferences. The full cutoff form factor maximizes light distribution and application spacing, while eliminating uplight. Integrated photocell allows for easy dusk to dawn operation. Lights also maintains a similar footprint to traditional MH and HID wall packs for easy replacement.

Mechanical

- Easy mounting access with hinged enclosure
- Mounts on standard existing junction boxes to easily replace existing lights
- Full cutoff design creates zero uplight
- Brown (Pantone 412 C) powder coated aluminum body and polycarbonate lens
- -40°-122° F (-40°-50° C) operating temperature
- 5-year warranty
- IP65 rated

Electrical

- 120-277 VAC
- 0-10 V dimmable (also features PWM dimming on 80-150 W models)
- Photocell equipped for dusk to dawn operation
- Photocell turns light on at 30 lx and off when light goes back above 130 lx
- Built-in surge protection
- Integrated heat sinks for proper thermal management
- 50,000 hours (L70) lifespan

Available Models¹

- WPFCCCT-SW3B40-ST3-BRP WPFCCCT-SW3B120-ST3-BRP
 WPFCCCT-SW3B80-ST3-BRP WPFCCCT-SW3B150-ST3-BRP

Part Number Breakdown

Example: WPFCCCT-SW3B150-ST3-BRP

Family	Color Temperature	Wattage	Distribution	Finish	Built-in Options
WPFCCCT	SW3B [selectable, 3000K / 4000K / 5000K]	40 [40 W]	ST3 [Type III]	BR [brown]	P [photocell]
		80 [80 W]			
		120 [120 W]			
		150 [150 W]			

Photometrics

- 110° x 95° beam angle (type III distribution)
- Selectable CCT (3000K / 4000K / 5000K, selected internally) adapts to a range of commercial and industrial applications
- 80+ CRI

Photometric Data

Detailed photometric data is available on the Super Bright LEDs site.

Certifications and Compliances

These lights are UL Listed in compliance with UL 1598 (IFAM) and are listed as DLC Premium 5.1.



Application

Easily replace inefficient metal-halide fixtures such as those found in warehouses, parking lots and garages, gas station exteriors, and other commercial and industrial spaces. These are also a great solution for entryways, walkways, and other areas where good lighting is essential for security and safety.

Warranty

Five (5) Year Warranty



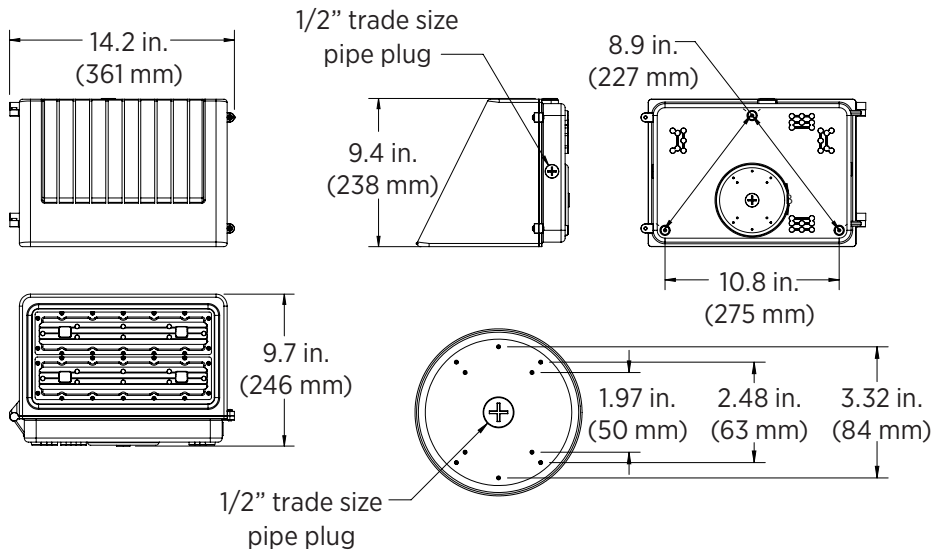
T 866.811.5550
 F 314.972.6202
 email: commercial-sales@superbrightleds.com
 www.superbrightleds.com/cat/industrial-led-lighting/

¹Contact customer service if interested in options other than those listed.

WPFCT Series

Selectable CCT LED Wall Pack Specifications

Dimensional Drawing



Specifications

Model	WPFCT			
	-SW3B40-ST3-BRP	-SW3B80-ST3-BRP	-SW3B120-ST3-BRP	-SW3B150-ST3-BRP
Intensity	4,800 lm	9,600 lm	14,400 lm	18,000 lm
Operating Voltage	120-277 VAC			
Power Consumption	40 W	80 W	120 W	150 W
Current Draw	333 mA @ 120 VAC 144 mA @ 277 VAC	667 mA @ 120 VAC 288 mA @ 277 VAC	1 A @ 120 VAC 433 mA @ 277 VAC	1.25 A @ 120 VAC 542 mA @ 277 VAC
Efficacy	120 lm/W			
Color Temperature	selectable (3000K / 4000K / 5000K)			
Beam Angle	110° x 95° (Type III distribution)			
BUG Rating	B2-U0-G1			
CRI	80+			
Dimming	yes (0-10 V)			
IP Rating	IP65			
Ambient Operating Temperature	-40°-122° F (-40°-50° C)			
Product Weight	6.4 lb (2.9 kg)	6.7 lb (3 kg)	9.7 lb (4.4 kg)	9.8 lb (4.5 kg)
Surge Protection	4 kV	6 kV		
Rated Life (L70)	50,000 hours			

Photocell Operation

Lights will turn on when the ambient light level falls below 30 lx and will turn off when the ambient light level exceeds 130 lx.

