



UHB Series

Selectable LED UFO High Bay Specifications

Project _____

Date _____ Type _____



Available Models¹

- UHB-S1-SW3C240S-H
- UHB-S1-SW3C240S-H-PR

Part Number Breakdown

Example: UHB-S1-SW3C240S-H-PR

Series	Selectable CCT	Selectable Wattage	Feature	Accessory
UHB-S1 [UFO High Bay Light]	SW3C [3500K, 4000K, 5000K]	240S [150W, 200W, 240W]	H [High Efficiency]	blank [none]
				PR [Polycarbonate Reflector]

Overview

This sensor-ready LED UFO high bay is a high-performance lighting solution for high-ceiling applications such as warehouses, factories, and distribution centers. The fixture features durable die-cast aluminum construction and an integrated mounting hook, making the UFO high bay light highly adaptable for various commercial or industrial applications. Select the desired wattage (varies by model) and CCT (3500K, 4000K, or 5000K) using the switches on the housing. A sensor-ready port allows easy integration of an optional daylight-harvesting motion sensor for automatic lighting control. It is also available with a reflector for glare reduction and a traditional look.

Features

- Field Selectable CCT and Wattage
- CCT: 3500K, 4000K, 5000K
- Wattage: 150W, 200W, 240W
- Replaces up to a 1000W metal-halide fixture
- Port for optional daylight harvesting motion sensor

Product Details

- Die-cast aluminum housing
- Polycarbonate lens
- IP65 waterproof, Suitable for wet locations
- 0-10V dimming
- 120-277 VAC

Certifications and Compliances

- DLC 5.1 Premium
- Certified by UL - UL 1598 (IFAM)
- FCC compliant



Applications

- Distribution Centers
- Factories
- Gymnasiums
- Manufacturing Plants
- Packaging Facilities
- Retail Shops
- Supermarkets
- Warehouses

Optional Accessories

- ANT-5-4T (Motion sensor)
- ANT-5-4T-RC-100 (Sensor with IR remote)
- EFS106-AUX (NLC PIR Bluetooth motion sensor)

Warranty

- 5-year warranty



T 866.811.5550
 F 314.972.6202
<https://www.industrialcommerciallighting.com>
 email: commercial-sales@industrialcommerciallighting.com

¹ Contact customer service for additional options.



UHB Series

Selectable LED UFO High Bay Specifications

SPECIFICATIONS		
Model		UHB-S1-SW3C240S-H
PHOTOMETRIC		
Lumens		22500, 30000, 36000
Color Temperature		3500K, 4000K, 5000K, Selectable CCT
CRI		70+
Beam Angle		80°
Efficacy		150 lm/W
ELECTRICAL		
Selectable Wattage		150W, 200W, 240W
Current Draw	120 VAC	1.3, 1.8, 2.2A
	277 VAC	600, 800, 960mA
Operating Voltage		120-277 VAC
Power Factor		>0.9
Dimmer Type		0-10V
Driver Efficiency		>90%
MECHANICAL		
Input Connection		Pigtail
Wire Gauge		18AWG (L/N/G) 22AWG (dimming)
Rated Life (L70)		50000 hours
Product Materials		Die-cast aluminum housing, Polycarbonate lens
ENVIRONMENTAL		
IP Rating		IP65
Environmental Rating		Suitable For Wet Locations
Ambient Operating Temperature		-40 to 45°C (-40 to 113°F)

Model	UHB-S1-SW3C240S-H
DLC #	S-517W00



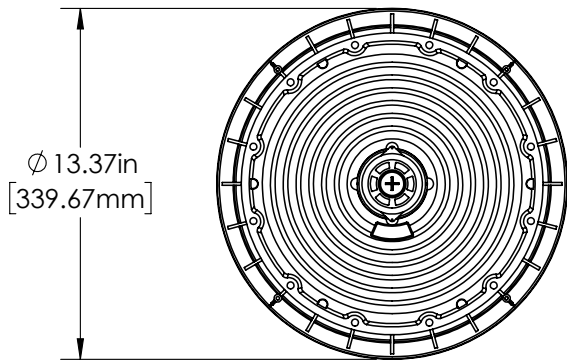
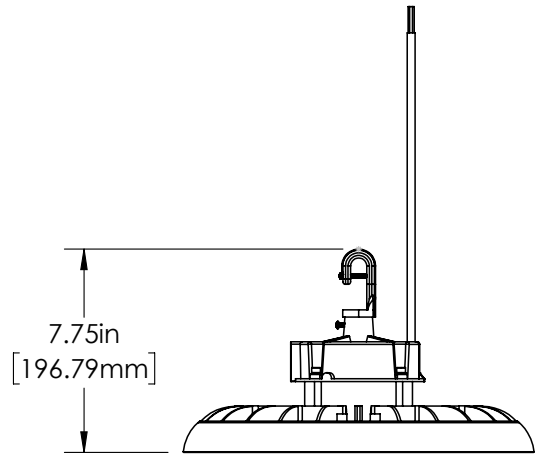
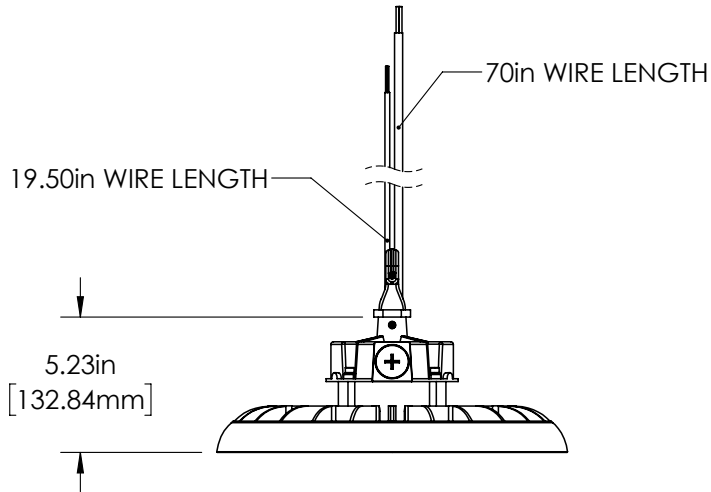


UHB Series

Selectable LED UFO High Bay Specifications

Dimensional Drawings

UFO Highbay Fixture



T 866.811.5550
F 314.972.6202
<https://www.industrialcommerciallighting.com>
email: commercial-sales@industrialcommerciallighting.com

Rev. V1.0 Date: 07/23/2025
Specifications are subject to change without notice.



UHB Series

Selectable LED UFO High Bay Specifications

Dimensional Drawings

Optional Refelctor

