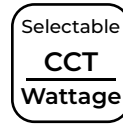




**CDL8D-U1-SW5A-SP35W**



### Available Models<sup>1</sup>

- CDL4D-U1-SW5A-SP16W
- CDL8D-U1-SW5A-SP35W
- CDL6D-U1-SW5A-SP30W
- CDL10D-U1-SW5A-SP40W
- CDL6D-U1-SW5A-SP40W

### Part Number Breakdown

Example: CDL4D-U1-SW5A-SP16W

Series	Size	Dimming	CRI	Selectable CCT	Selectable Wattage
<b>CDL</b> [Commercial Downlight]	<b>4</b> [4in.]	<b>D</b> [0-10V]	<b>U1</b> [90+]	<b>SW5A</b> [2700K, 3000K, 3500K, 4000K, 5000K]	<b>SP16</b> [8, 10, 12, 14, 16 Watts]
	<b>6</b> [6in.]	<b>D</b> [Tri-dimming]			<b>SP30</b> [15, 18, 22, 26, 30 Watts]
	<b>6</b> [6in.]				<b>SP40</b> [20, 25, 30, 35, 40 Watts]
	<b>8</b> [8in.]				<b>SP35</b> [15, 20, 25, 30, 35 Watts]
	<b>10</b> [10in.]				<b>SP40</b> [20, 25, 30, 35, 40 Watts]

### Overview

The commercial recessed LED downlight is ideal for any space where versatile lighting is needed. Each fixture has slide switches on the top of the fixture that allow for selecting wattage (varies by model) and color temperature (2700K, 3000K, 3500K, 4000K, 5000K) during installation. Use the attached spring clips for quick installation into drywall ceilings. The white aluminum trim creates a clean finish that compliments various interior spaces. An integrated flexible steel electrical wire whip connects directly to junction boxes.

### Features

- Field Selectable Wattage: Varies by model
- Field Selectable CCT: 2700K, 3000K, 3500K, 4000K, 5000K
- IC rated for direct contact with insulation
- Direct installation to ceiling with integrated spring clips
- Versatile and energy-efficient replacement for CFL lamps

### Product Details

- White aluminum housing, frosted polycarbonate lens
- IP54, Suitable for Wet Locations
- 90+ High CRI
- Dimmer Type<sup>2</sup>: 0-10V, TRIAC, and ELV
- 120-277 VAC Input

### Certifications and Compliances

- ETL Listed - UL 1598
- FCC Compliant



### Applications

- Auditoriums
- Conference Halls
- Hospitality
- Hospitals
- New Constructions
- Offices
- Retail Shops
- Schools

### Warranty

- 5-year warranty



<sup>1</sup> Contact customer service for additional options.  
<sup>2</sup> 4in. version is 0-10V only.

## Commercial LED Down Light

Recessed LED Down Light Specifications

SPECIFICATIONS					
Model   CDL		4D-U1-SW5A-SP16W	6D-U1-SW5A-SP30W	6D-U1-SW5A-SP40W	
Common Size		4in.	6in.	6in.	
Cutout Size		Ø4.3in. (110mm)	Ø6.3in. (160mm)	Ø6.3in. (160mm)	
Lumens		800, 1000, 1200, 1400, 1600	1500, 1800, 2200, 2600, 3000	2000, 2500, 3000, 3500, 4000	
Wattage		8, 10, 12, 14, 16	15, 18, 22, 26, 30	20, 25, 30, 35, 40	
Current Draw	120 VAC	70/90/105/125/140 mA	135/160/195/230/270 mA	180/225/270/310/355 mA	
	277 VAC	30/40/45/55/60 mA	60/70/85/100/115 mA	80/100/115/135/155 mA	

Model   CDL		8D-U1-SW5A-SP35W	10D-U1-SW5A-SP40W	
Common Size		8in.	10in.	
Cutout Size		Ø8.3in. (210mm)	Ø8.9in. (225mm)	
Lumens		1500, 2000, 2500, 3000, 3500	2000, 2500, 3000, 3500, 4000	
Wattage		15, 20, 25, 30, 35	20, 25, 30, 35, 40	
Current Draw	120 VAC	135/180/225/270/310 mA	180/225/270/310/355 mA	
	277 VAC	60/80/100/115/135 mA	80/100/115/135/155 mA	

PHOTOMETRIC	
Color Temperature	2700K, 3000K, 3500K, 4000K, 5000K (selectable CCT)
CRI	90+
Beam Angle	90°
ELECTRICAL	
Operating Voltage	120-277 VAC
Efficacy	100 lm/W
Power Factor	≥0.9
Dimmer Type <sup>2</sup>	0-10V, TRIAC, ELV (10-100%)
MECHANICAL	
Trim Type	Smooth
Materials	Aluminum, Polycarbonate, Steel
LED Type	2835 SMD
Input Connection	Flexible Steel Conduit, Pigtail
Wire Gauge	18AWG (L/N/G), 22AWG (dimming)
LED Lifetime	50000 hours
ENVIRONMENTAL	
IP Rating	IP54
Environmental Rating	Suitable for Wet Locations
Ambient Operating Temperature	-20 to 45°C (-4 to 113°F)

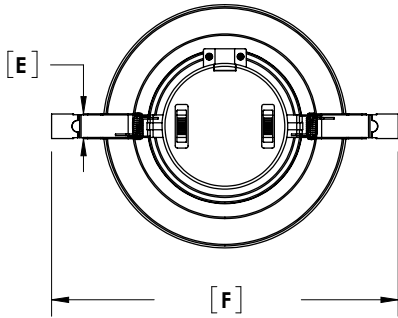
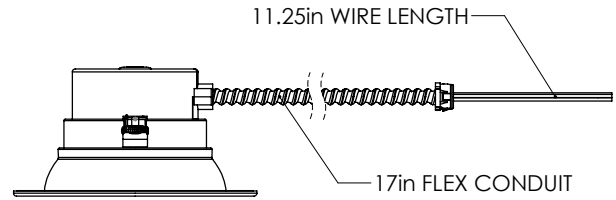
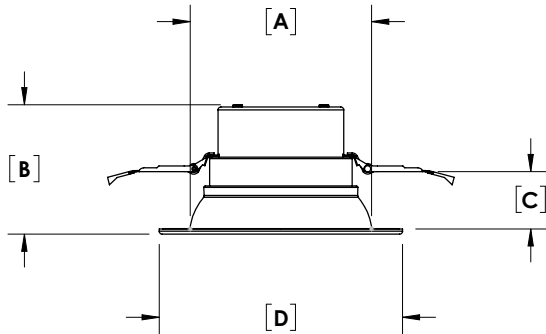
<sup>2</sup> 4in. version is 0-10V only.



## Commercial LED Down Light

Recessed LED Down Light Specifications

### Dimensional Drawings



Model	A	B	C	D	E	F
CDL4D-U1-SW5A-SP16W	3.95in. (100.33mm)	3.69in. (93.73mm)	1.31in. (33.27mm)	Ø 5.91in. (150mm)	0.70in. (17.78mm)	7.80in. (198.12mm)
CDL6D-U1-SW5A-SP30W CDL6D-U1-SW5A-SP40W	6.14in. (155.96mm)	4.35in. (110.49mm)	2.00in. (50.80mm)	Ø 8.27in. (210mm)	0.90in. (22.86mm)	11.38in. (289.05mm)
CDL8D-U1-SW5A-SP35W	7.93in. (201.42mm)	4.35in. (110.49mm)	2.00in. (50.80mm)	Ø 10.05in. (255.27mm)	0.90in. (22.86mm)	12.38in. (314.45mm)
CDL10D-U1-SW5A-SP40W	8.75in. (222.25mm)	4.35in. (110.49mm)	2.20in. (55.88mm)	Ø 11.50in. (292.10mm)	0.90in. (22.86mm)	13.75in. (349.25mm)

### Wiring Diagram

