

LDL Series

Gooseneck LED Dock Light Specifications

Project Name _____ Date _____

Notes _____



LDL-50K20-G27-20



Available Models¹

- LDL-50K10W-32
- LDL-50K20-G27-20

Part Number Breakdown

Example: LDL-50K20-G27-20

Series	CCT	Wattage	Arm Length	Beam Angle
LDL [Loading Dock Light]	50K [5000K]	10W [10 watts]	32 [32 inches]	blank [20°]
		20 [20 watts]	G27 [27 inches]	20 [20°]

Description

The LDL Series flexible gooseneck LED dock light is ideal for indoor and outdoor task lighting applications with an adjustable steel arm to place the light head for proper illumination. It also allows the light to be mounted between two loading docks, eliminating the need for a second light. Plug the 5-15P power cable into a weather-protected outlet for outdoor use.

Construction

- Steel arm and base
- Aluminum light housing
- Polycarbonate lens
- 5-15P power cord
- IP65 waterproof
- Suitable for wet locations

Electrical

- 120 VAC input
- up to 140 lm/W efficacy
- 50,000 hour LED lifetime

Photometrics

- 20° beam angle
- 5000K CCT

Applications

Flexible gooseneck dock lights are ideal for safety, task, and utility lighting for loading docks, factories, and other industrial facilities.

Warranty

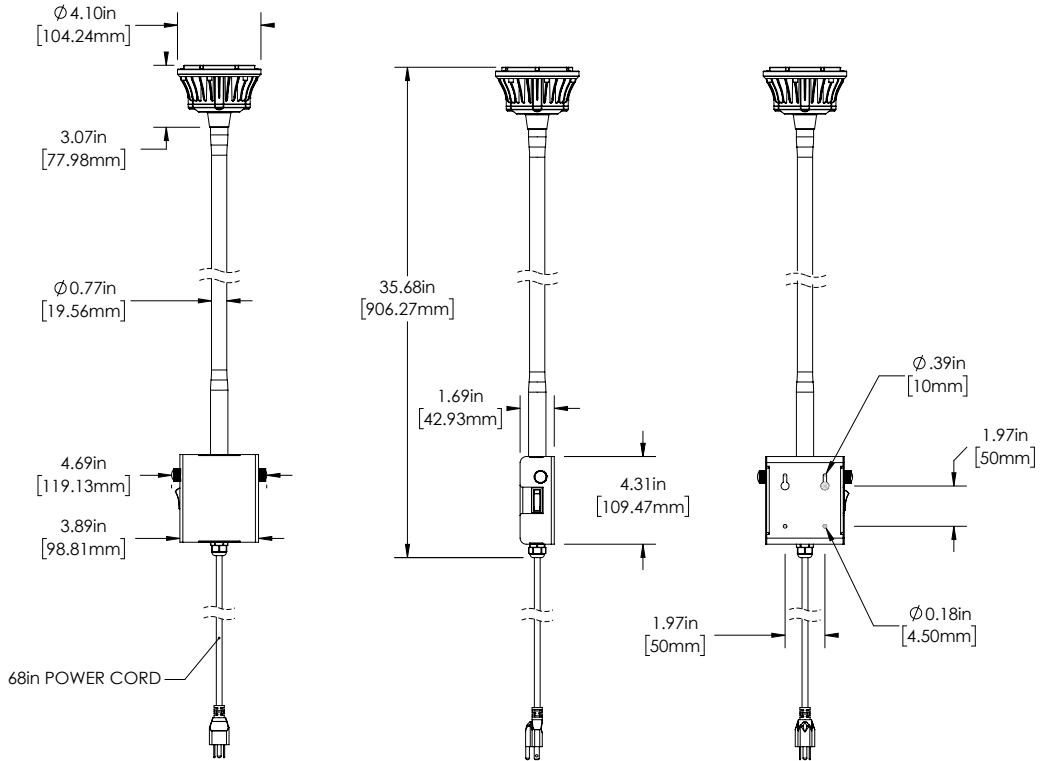
- Five (5) year warranty



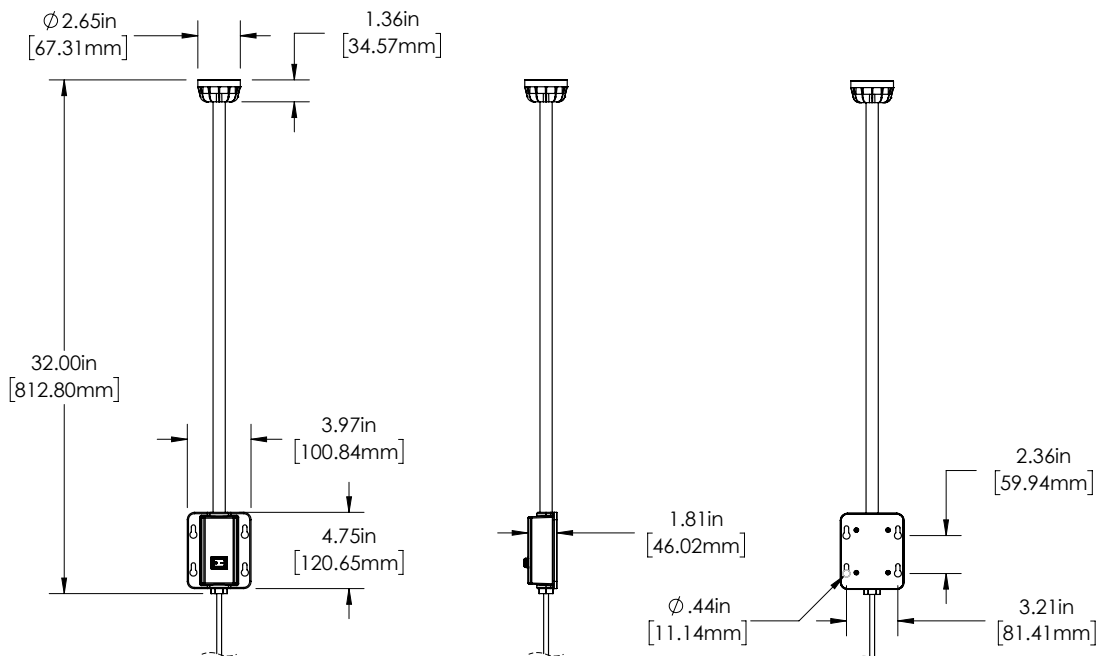
¹Contact customer service if interested in options other than those listed.

Dimensional Drawing

LDL-50K20-G27-20



LDL-50K10W-32



LDL Series

Gooseneck LED Dock Light Specifications

Specifications

Model	LDL-50K20-G27-20	LDL-50K10W-32
Lumens	2,800	1,200
Power Consumption	20W	10 W
Current Draw	170 mA	83 mA
Efficacy	140 lm/W	120 lm/W
Power Factor	≥ 0.9	≥ 0.5
Ambient Operating Temperature	-31°-131° F (-35°-55° C)	-40°-104° F (-40°-40° C)
Certification	ETL Listed	Certified by UL
Operating Voltage	120 VAC	
Color Temperature	5000K	
Environmental Rating	IP65, suitable for damp locations	
Beam Angle	20°	
Rated Life (L70)	50,000 hours	
Input Connection	5-15P power cord	
Materials	steel arm and base, aluminum light housing, polycarbonate lens	

