

## CL4 Series

LED Corn Bulb Specifications

Project \_\_\_\_\_

Date \_\_\_\_\_ Type \_\_\_\_\_



CL4-50K27-LCEX39



### Description

These LED corn bulbs are an energy efficient and low maintenance replacement to incandescent or metal halide bulbs. The standard E26 or EX39 mogul screw base can be used in new construction or retrofit applications. Integrated aluminum heatsinks provide thermal dissipation and ensure the bulb can be used in fully enclosed fixtures.

### Mechanical

- Aluminum housing and polycarbonate lens
- IP64 rated
- Enclosure rated
- Operating temperature: -40°-113° F (-40°-45° C)

### Electrical

- 100-277 VAC input (E26 base 120 VAC only)
- 4kV integrated surge protection
- ≥0.9 power factor
- 50,000 hour LED lifetime

### Photometrics

- 360° beam angle
- 80+ CRI

### Ballast Compatibility

Ballast bypass is required for these bulbs.

### Application

These easily replace inefficient incandescent or metal-halide bulbs found in fixtures commonly used for high bay lights, bollards, wall packs, parking lot lights, and other commercial and industrial applications.

### Available Models<sup>1</sup>

E26 Base

- CL4-50K12-LC
- CL4-50K18-LC
- CL4-50K27-LC

EX39 Base

- CL4-50K27-LCEX39
- CL4-50K54-LCEX39
- CL4-50K75-LCEX39
- CL4-50K120-LCEX39

### Part Number Breakdown

Example: CL4-50K75-LCEX39

Series	CCT	Wattage	LED Maker	Lens	Base
CL4	50K [5000K]	12W [45 W]	L [Lumileds]	C [Clear]	blank [E26]
		18W [18 W]			
		27W [27 W]			
		27W [27 W]			EX39 [EX39]
		54W [54 W]			
		75W [75 W]			
120W [120 W]					

### Certifications and Compliances

These are UL Listed under file E477606 in compliance with UL 1993 (OOLV), UL Classified under file E348221 in compliance with UL 1598C (IFAR).



### Warranty

5-year warranty

### Product Page QR Code

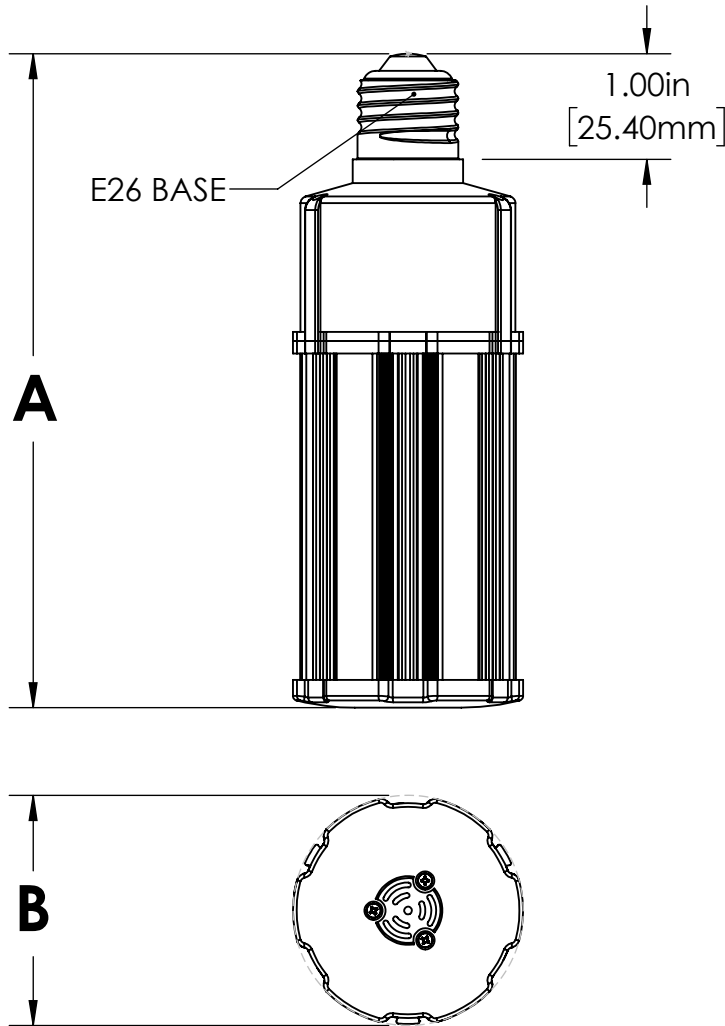


<sup>1</sup>Contact customer service for more information on availability.

**CL4 Series**

LED Corn Bulb Specifications

**Dimensions**



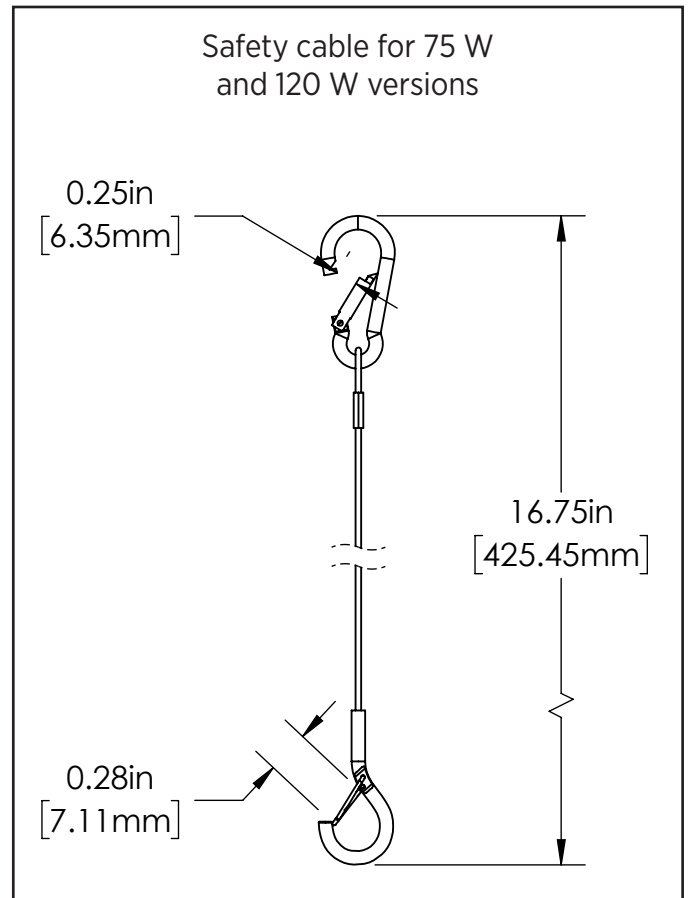
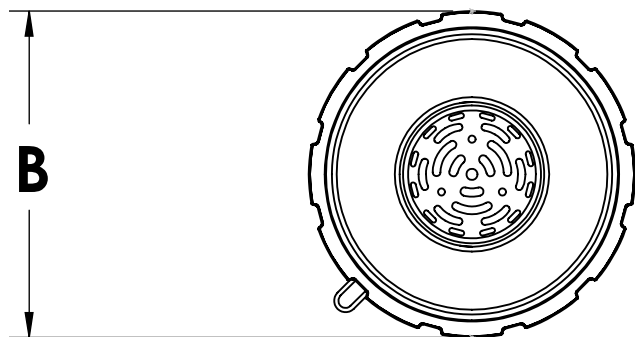
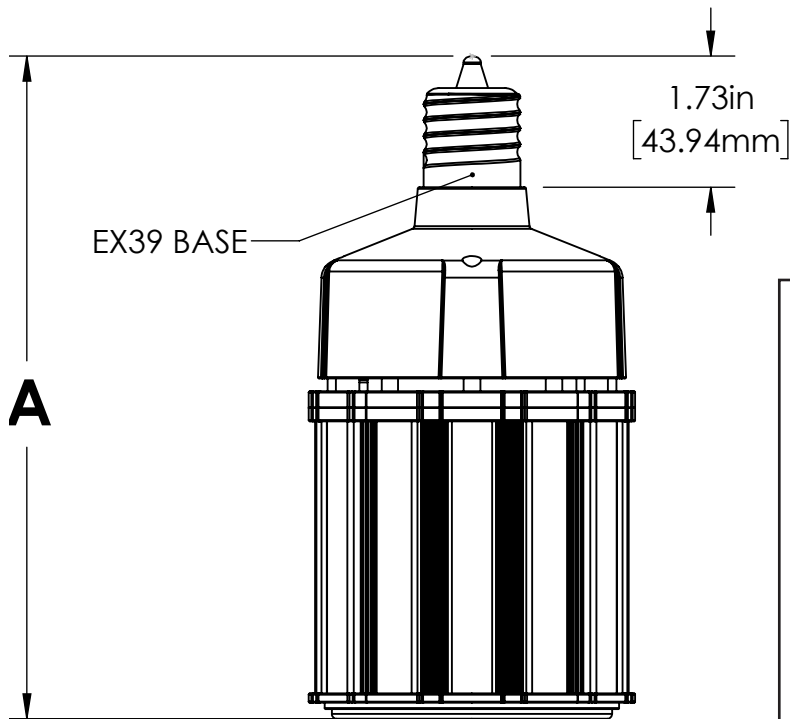
Model CL4-	50K12-LC	50K18-LC	50K27-LC
A	4.9 in. (125 mm)	5.7 in. (145 mm)	6.7 in. (170 mm)
B	Ø 2.4 in. (61 mm)	Ø 2.4 in. (61 mm)	Ø 2.4 in. (61 mm)



CL4 Series

LED Corn Bulb Specifications

Dimensions



Model CL4-	50K27-LCEX39	50K54-LCEX39	50K75-LCEX39	50K120-LCEX39
A	7.3 in. (185 mm)	9.9 in. (252 mm)	9.9 in. (252 mm)	11.3 in. (286 mm)
B	Ø 2.4 in. (61 mm)	Ø 3.3 in. (85 mm)	Ø 5.1 in. (130 mm)	Ø 5.1 in. (130 mm)



## CL4 Series

LED Corn Bulb Specifications

### Specifications

Model CL4-	50K12-LC	50K18-LC	50K27-LC	50K27-LCEX39	50K54-LCEX39	50K75-LCEX39	50K120-LCEX39	
Base Type	E26 medium			EX39 mogul				
Lumens	1,800	2,700	4,050	4,050	8,100	11,250	18,000	
Operating Voltage	120 VAC			100-277 VAC				
Power Consumption	12 W	18 W	27 W	27 W	54 W	75 W	120 W	
Current Draw	120 VAC	100 mA	150 mA	225 mA	225 mA	450 mA	625 mA	1 A
	277 VAC	N/A			97 mA	195 mA	271 mA	443 mA
Efficacy	150 lm/W							
Color Temperature	5000K							
Beam Angle	360°							
CRI	80+							
Dimming	N/A							
Surge Protection	4 kV					6 kV		
IP Rating	IP64							
Ambient Operating Temperature	-40°-113° F (-40°-45° C)							
Rated Life (L70)	50,000 hours							

### Wiring Diagram

