



Industrial Commercial Wall Pack

LED Wall Pack Specifications

Project _____

Date _____ Type _____



ICWP-50K100P-BABRSP



Available Models¹

- ICWP-50K40P-BABRSP
- ICWP-50K60P-BABRSP
- ICWP-50K80P-BABRSP
- ICWP-50K100P-BABRSP
- ICWP-50K120P-BABRSP

Part Number Breakdown

Example: ICWP-50K120P-BABRSP

Series	CCT	Wattage	Feature	Driver	LED	Finish	Output	Lens
ICWP [Industrial Commercial Wall Pack]	50K [5000K]	40 [40 W]	P [Photocell]	B [Becky]	A [Lumileds]	BR [Bronze]	S [Single CCT]	P [Polycarbonate]
		60 [60 W]						
		80 [80 W]						
		100 [100 W]						
		120 [120 W]						

Overview

This LED wall pack replaces traditional metal-halide fixtures in industrial and commercial applications. Its 105° beam angle is ideal for warehouses and exterior lighting. An integrated photocell simplifies operation and can be unplugged to bypass. The fixture has a bronze powder-coated die-cast aluminum housing and a shatterproof polycarbonate lens. It is rated IP65, making it suitable for installation outside or in interior wet locations. The wide IV-IS distribution is ideal for parking lots, building exteriors, and warehouses.

Features

- Bypassable photocell for dusk-to-dawn operation
- Metal-Halide Equivalent: 150-400 watts
- Type IV-VS light distribution

Product Details

- Die-cast, powder-coated aluminum housing
- Clear polycarbonate lens
- IP65, Suitable for Wet Locations
- 120-277 VAC

Certifications and Compliances

- Certified by UL - UL 1598 (IFAM)
- DLC 5.1 Premium listed

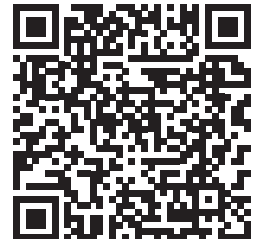


Applications

- Commercial Lighting
- Industrial Facilities
- Parking Garages
- Parking Lots
- Perimeters
- Residential Complexes
- Security Lighting
- Wall Washing
- Warehouses

Warranty

- 5-year warranty



¹ Contact customer service for additional options.



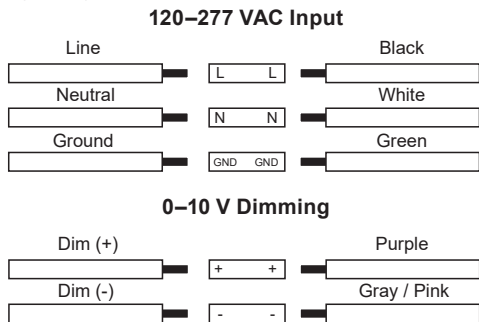


Industrial Commercial Wall Pack

LED Wall Pack Specifications

SPECIFICATIONS					
Model ICWP-	50K40P-BABRSP	50K60P-BABRSP	50K80P-BABRSP	50K100P-BABRSP	50K120P-BABRSP
DLC Product ID	S-Y18K39	S-RG62X6	S-63992L	S-1YPYZW	S-WZ0699
PHOTOMETRICS					
Lumens	6000	9000	12000	15000	16800
Efficacy	150 lm/W				140 lm/W
Distribution Type	Type IV-VS				
Beam Angle	105°				
Color Temperature	5000K				
CRI	80+				
ELECTRICAL					
Operating Voltage	120-277 VAC				
Wattage	40W	60W	80W	100W	120W
Current Draw	120 VAC	370mA	550mA	740mA	925mA
	277 VAC	160mA	240mA	320mA	400mA
Surge Protection	4 kV (L-N), 6 kV (L/N-G)				
Power Factor	≥0.9				
Dimmer Type	0-10V				
MECHANICAL					
Photocell	Integrated Photocell (Bypassable)				
IP Rating	IP65				
Environmental Rating	Suitable for Wet Locations, Water-Resistant				
Input Connection	Pigtail				
Wire Gauge	18 AWG (L/N/G), 22 AWG (dimming)				
Product Materials	Aluminum Housing, Polycarbonate Lens				
Rated Life (L70)	50000 hours				
Ambient Operating Temperature	-40 to 50°C (-40 to 122°F)				

Wiring Diagram





Industrial Commercial Wall Pack

LED Wall Pack Specifications

Dimensional Drawings

