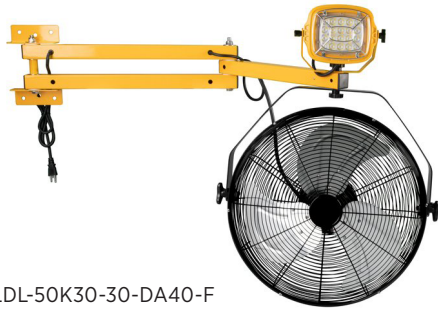


LDL Series

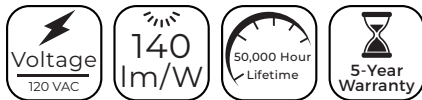
Double Arm LED Dock Light Specifications

Project Name _____ Date _____

Notes _____



LDL-50K30-30-DA40-F



Available Models¹

- LDL-50K30-30-DA40
- LDL-50K30-30-DA40-F

Part Number Breakdown

Example: LDL-50K30-30-DA40-F

| Series | CCT | Wattage | Beam Angle | Mount | Fan |
|------------------------------------|-----------------------|---------------------|--------------------|---------------------------------------|---------------------|
| LDL [Loading Dock Light] | 50K [5000K] | 30 [30 W] | 30 [30°] | DA40 [40" steel double arm] | blank [none] |
| | | | | | F [20" fan] |

Description

The LDL Series double arm LED dock light is ideal for indoor task lighting applications with an adjustable steel arm to place the light head for proper illumination. It also allows the light to be mounted between two loading docks, eliminating the need for a second light. The rugged double arm construction features two 5-15 receptacles for added utility. An optional fan provides improved ventilation. Both light head and fan are independently adjustable.

Construction

Loading Dock Light

- Aluminum housing, steel bracket and arms
- Yellow Finish
- 5-15P power cord
- Suitable for damp locations

Fan (FGD-18A)

- Steel guard and motor housing
- Three (3) aluminum blades
- Black Finish

Electrical

- 120 VAC input
- Up to 140 lm/W efficacy
- 50,000 hour LED lifetime
- Arm has two (2) 5-15 receptacles

Photometrics

- 30° beam angle
- 5000K CCT

Application

Double Arm LED dock lights are ideal for safety, task, and utility lighting for loading docks, factories, and other industrial facilities.

Warranty

Five (5) year warranty²

Certifications and Compliances

The light and fan are ETL Listed UL 153 and UL 507 standards respectively. The light is suitable for damp locations and the fan is non-weatherproof.



¹Contact customer service if interested in options other than those listed.

²Fan carries a two (2) year warranty

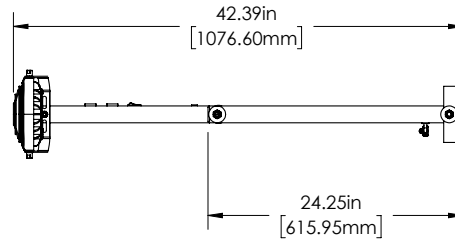
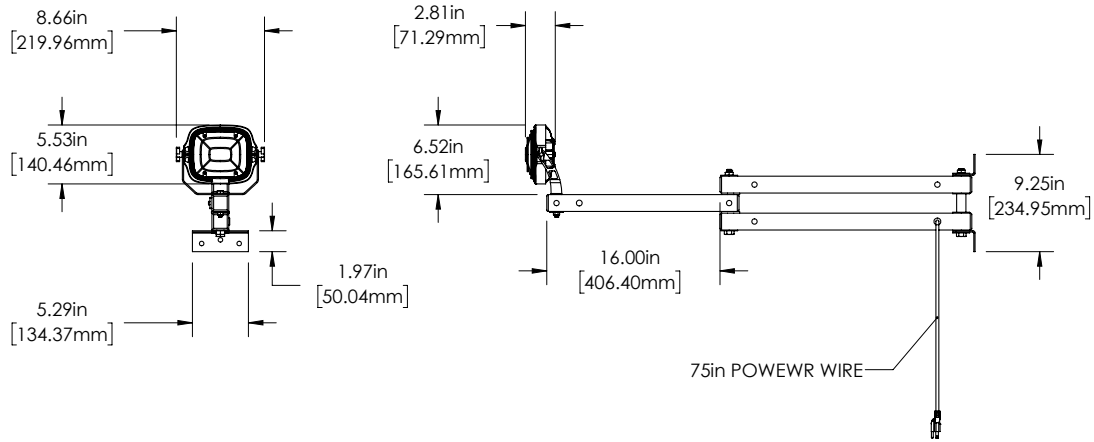


LDL Series

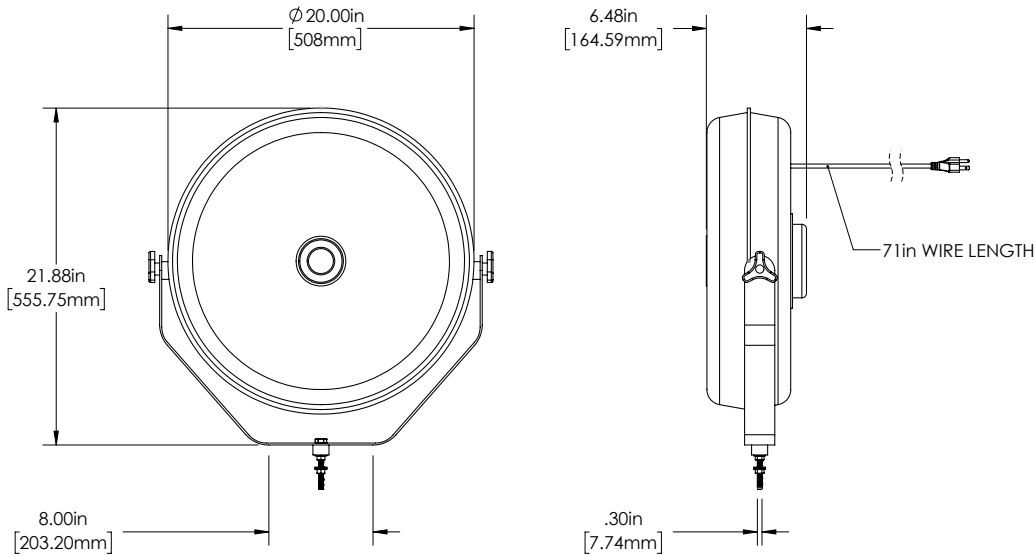
Double Arm LED Dock Light Specifications

Dimensional Drawing

LDL-50K30-30-DA40



FGD-18A



LDL Series

Double Arm LED Dock Light Specifications

Specifications

| Model | LDL-50K30-30-DA40 |
|-------------------------------|-----------------------------|
| Operating Voltage | 120 VAC |
| Lumens | 4,200 |
| Power Consumption | 30 W |
| Current Draw | 250 mA |
| Efficacy | 140 lm/W |
| Power Factor | ≥ 0.9 |
| Color Temperature | 5000K |
| Environmental Rating | Suitable for damp locations |
| Beam Angle | 30° |
| Rated Life (L70) | 50,000 hours |
| Surge Protection | 4 kV |
| Ambient Operating Temperature | -31°-131° F (-35°-55° C) |
| Input Connection | 5-15P power cord |

| Model | FGD-18A (fan) |
|-------------------------------|-------------------------|
| Operating Voltage | 120 VAC |
| CFM | 2,160 |
| RPM | 1,300 |
| Air Throw Distance | 6.6 ft (2 m) |
| Power Consumption | 100 W |
| Current Draw | 833 mA |
| Power Factor | ≥ 0.9 |
| Environmental Rating | Non-weatherproof |
| Ambient Operating Temperature | 14°-122° F (-10°-50° C) |
| Input Connection | 5-15P power cord |
| Cord Length | 69 in. (1.75 m) |
| Guard Spacing | 0.28 in. (7 mm) |

