

Important: Read all instructions prior to installation.

### SWL Forklift Lights

## LED Forklift Lights and Installation Kits

### Products



SWL-x10-AB



SWL-B6-OA



SWL-B12-O4



SWL-B11-O4



SWL-B20-SFA



SWL-R18HO-RL,  
SWL-R18HO-BL



SWL-R20-SFA,  
SWL-B20-SFA



SWL-R6-L,  
SWL-B6-L

### Included Parts

Model	Available Light Color(s) and Patterns	Mounting Hardware Included	Installation Location	Accessory Installation Kit	Voltage
SWL-x10-AB	red (R), green (G), or blue (B), arc pattern beam	mounting bracket, hardware kit <sup>1</sup>	front or rear	SWL-KIT-SINGLE <sup>2</sup>	12-60 VDC
SWL-B6-OA	blue, arrow pattern beam	mounting bracket, hardware kit <sup>1</sup>			
SWL-B12-O4	blue, 4° square beam	mounting bracket, hardware kit <sup>1</sup>			
SWL-B11-O4	blue, 4° square beam	mounting bracket, hardware kit <sup>1</sup>			
SWL-x20-SFA	red (R) or blue (B), arrow pattern beam	mounting bracket, hardware kit <sup>1</sup>			
SWL-R18HO-RL	red, line pattern beam	mounting brackets, hardware kit <sup>1</sup>	side	SWL-KIT-DOUBLE <sup>2</sup>	
SWL-R18HO-BL	blue, line pattern beam	mounting brackets, hardware kit <sup>1</sup>			
SWL-R6-L	red, line pattern beam	mounting brackets, hardware kit <sup>1</sup>			
SWL-B6-L	blue, line pattern beam	mounting brackets, hardware kit <sup>1</sup>			

<sup>1</sup>Hardware kit includes screws/nuts required to mount light to existing bracket/structure.

<sup>2</sup>Kit is for installation of single light.

### Accessory Installation Kits

#### SWL-KIT-SINGLE

(for one front/rear light with one mounting point)

- 1 - magnetic mounting base
- 1 - 2 A fuse
- 1 - fuse holder
- 1 - male DT pigtail connector
- 1 - female DT pigtail connector
- 10 - cable ties
- 6 - cable tie mounting bases
- 20 ft - 18-gauge two-conductor power wire

#### SWL-KIT-DOUBLE

(for one side light with two mounting points)

- 2 - magnetic mounting bases
- 1 - 2 A fuse
- 1 - fuse holder
- 1 - male DT pigtail connector
- 1 - female DT pigtail connector
- 1 - 3-terminal lever-lock quick connector
- 10 - cable ties
- 6 - cable tie mounting bases
- 20 ft - 18-gauge two-conductor power wire

### Safety and Notes

- Product should be installed in accordance with all applicable safety and electrical codes.
- Due to risk of electric shock, ensure that the main power source is switched off before performing any installation or wiring procedures.
- Failure to properly secure the light during installation may cause damage or injury, for which the manufacturer is not responsible.

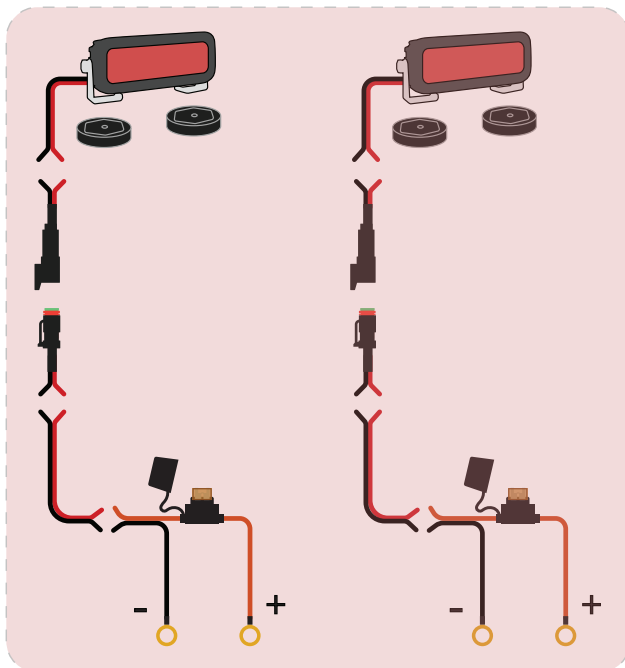


Important: Read all instructions prior to installation.

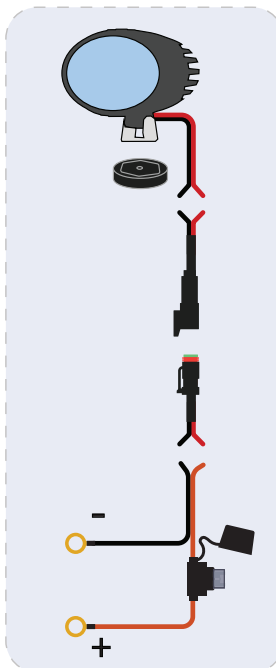
## LED Forklift Kit

### Wiring Diagram

SWL-KIT-DOUBLE  
(with side lights)



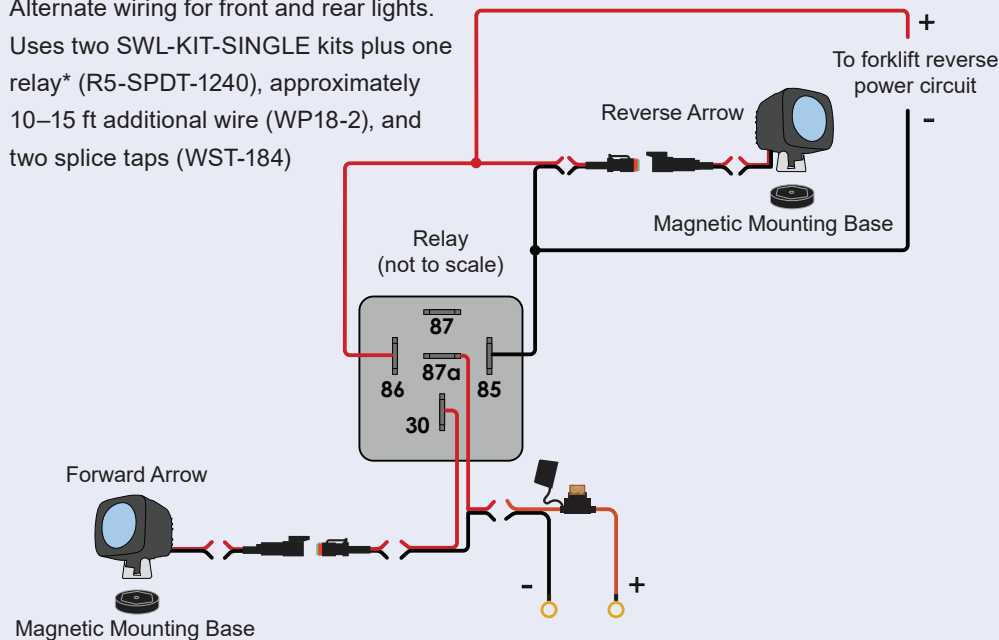
SWL-KIT-SINGLE  
(with front or rear light)



Note: Add optional toggle switch WRTS-SP-W in line on for a convenient waterproof power ON/OFF solution. Additional switches also available at SuperBrightLEDS.com

### Wiring Diagram (Alternate Front/Rear)

Alternate wiring for front and rear lights. Uses two SWL-KIT-SINGLE kits plus one relay\* (R5-SPDT-1240), approximately 10–15 ft additional wire (WP18-2), and two splice taps (WST-184)



Note: This wiring option allows the front and rear directional lights to power on only when moving in that respective direction.

\*Relay coil voltage must match reverse power circuit voltage. Optional relay (R5-SPDT-1240) only works with 12 VDC power. This relay is not compatible with other voltages.